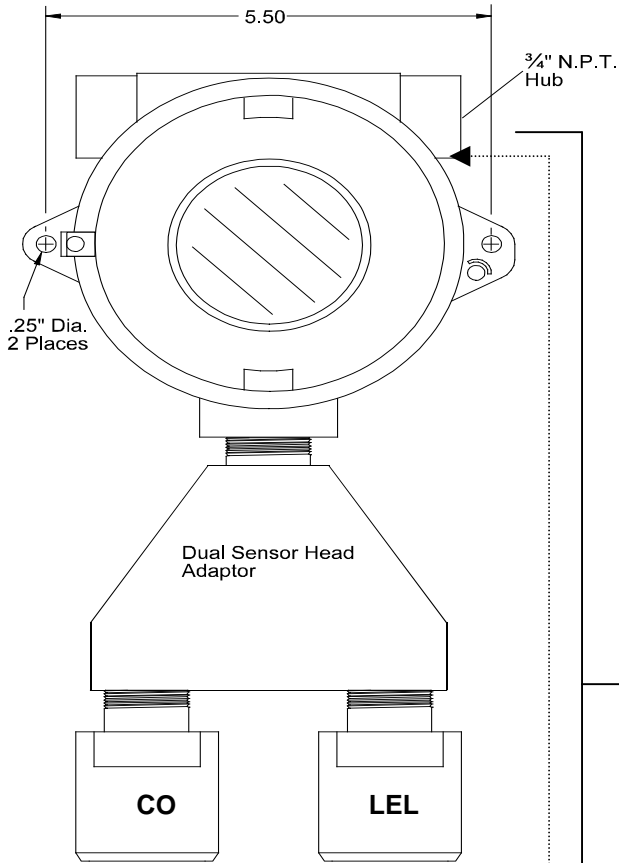


Air Check Ex Dual Gas Monitor with alarm relays



Air Check Ex Dual Transmitter/Controller
 Individual sensors for CO and LEL combustibles
 Two Digital gas concentration displays
 Two User selectable Alarm relays
 One instrument Fault relay
 Built-in visual alarms for each gas
 24VDC powered 100mA
 NEMA 4X IP 65 enclosure
 4-20mA datalog output
 Wall mounted transmitter/controller

Dual User Selectable Alarm Relays
 form C (SPDT) relays rated for 5 amp at 30 VDC or 240 ~VAC
RESISTIVE
 Higher current devices, i.e. exhaust fan requires a separate relay contactor to handle high motor current

Supervised 4-20mA output to PLC
 4mA = 0ppm
 20mA = Full scale

Regulated PSU
 110VAC
 24VDC 1.0 amp

