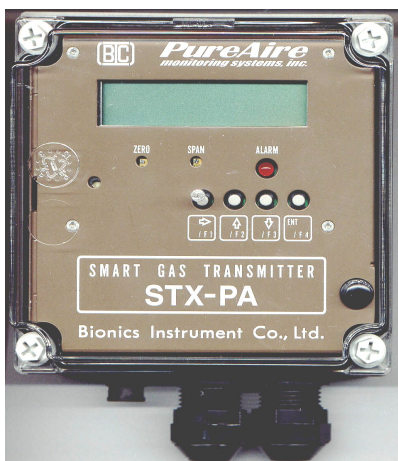
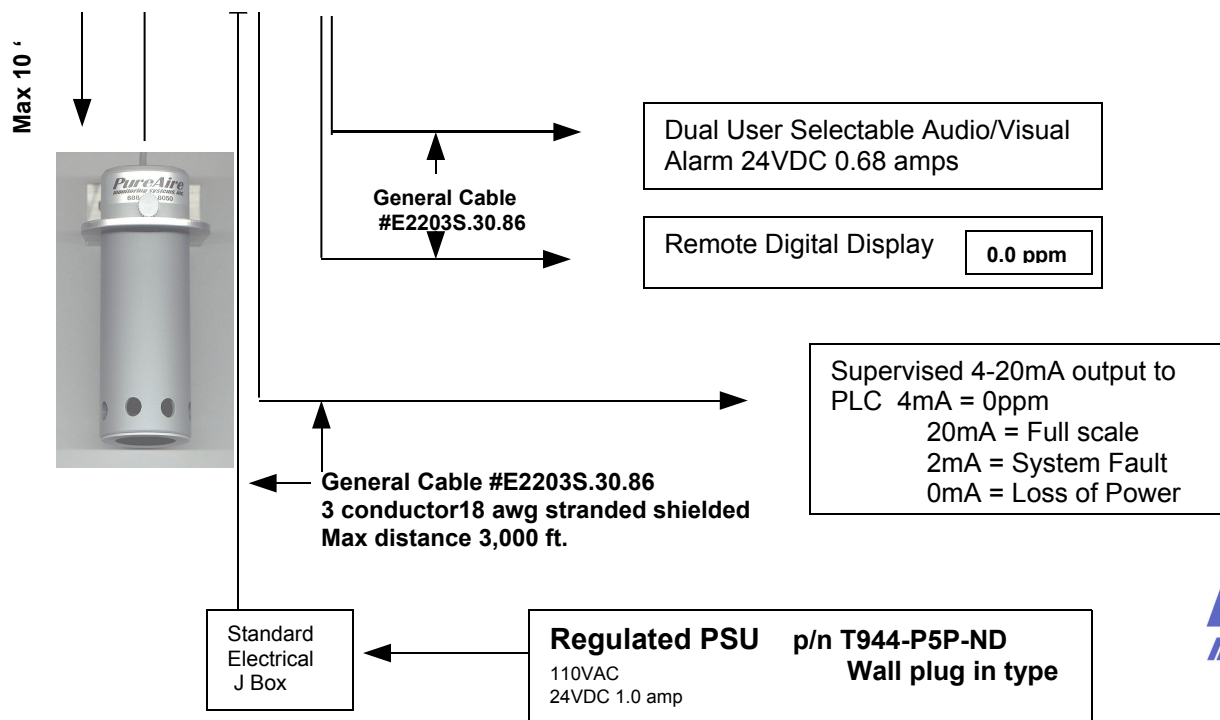


STX-PA for laser cabinet monitoring



STX-PA Transmitter/Controller
 Digital gas concentration display
 Two User selectable Alarm relays
 Built-in audio/visual alarms
 24VDC powered 100mA
 NEMA 4X IP 65 enclosure
 4-20mA datalog output
 Smart, Renewable Sensor Cell
 Wall mounted transmitter/controller
 Cell can be remote up to 10 ft



PureAire
 monitoring systems, inc.