



FEATURES

- Detectable limits COS up to 100ppm
- Detects low range TLVs
- Sampling pump with monitoring capabilities up to 100ft
- 2 year warranty
- User Selectable Dual Level Alarm and System Fault Relays
- Digital display and 4-20mA analog output connects to PLC

Air Check Carbonyl Sulfide Monitor

ITEM #:99156

Product Summary

The Air Check Carbonyl Sulfide Gas Monitor is ideal for facilities that require continuous monitoring and protection of personnel around semiconductor process tools. The built-in pump allows for monitoring up to 100 feet away and is perfect for use in valve manifold boxes or spaces that are not easily accessible. This monitor is well suited for environments such as semiconductor clean rooms where toxic gas is present.

Locations Requiring COS Monitoring

- *Semiconductor Process Tools*
- *Clean rooms and Process Tool Access Areas*
- *Gas Cabinets*
- *Valve Manifold Boxes*

Why Choose PureAire?

PureAire Monitoring Systems, Inc. is an industry leader in oxygen monitoring and gas detection. For over 20 years, we have dedicated ourselves to the safety of our clients, and the customers they serve, by manufacturing monitors that are long-lasting, accurate, and reliable. PureAire takes pride in providing exceptional customer service along with 24/7 availability to our technical service department.

Why a Carbonyl Sulfide Gas Monitor?

The Air Check Carbonyl Sulfide Gas Monitor is designed for continuous monitoring in confined spaces where toxic gas levels pose a hazard to personnel.

Set Up

Secure the monitor to the wall at a height that is easily visible. The monitor will begin sampling gas levels after a brief startup. COS Levels are displayed clearly on the screen for easy access and visibility.

Top Advantages of Carbonyl Sulfide Gas Monitor



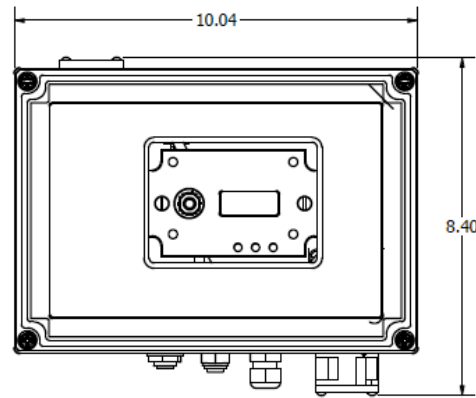
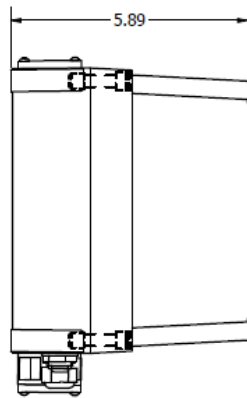
Gas Detector Alarms

PureAire's COS Monitor comes with 2 adjustable alarm set-points that can connect to a horn/strobe, exhaust fans, 8 channel controller, remote display, or into building SCADA. Alarm signals also can tie into automatic shut-off valves when COS levels exceed the OSHA threshold.



Easy To Use

The COS Gas Monitor provides constant monitoring with little to no adjustments, saving you time and money while allowing the monitor to operate seamlessly.



Top Accessories



8 Channel Controller for Gas Monitors

ITEM #: 99058



Remote Digital Display

ITEM #: 99091



Red Horn/Strobe 24VDC

ITEM #: 42002



1-888-788-8050

info@pureaire.net
pureairemonitoring.com

1140 Ensell Road
Lake Zurich, IL 60047
1-847-726-6000