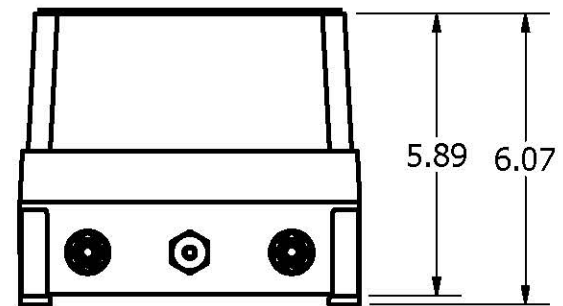
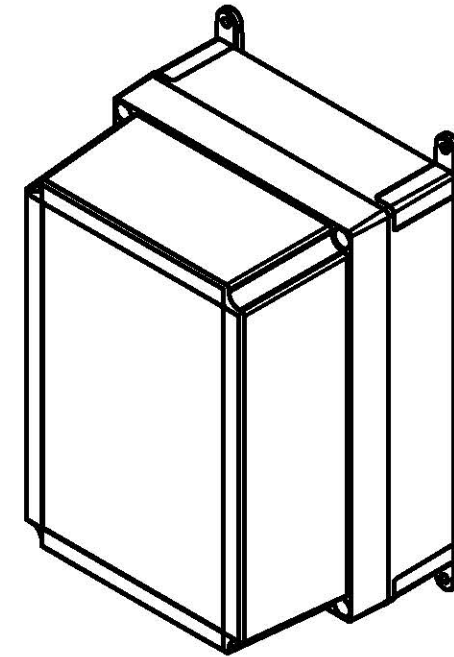
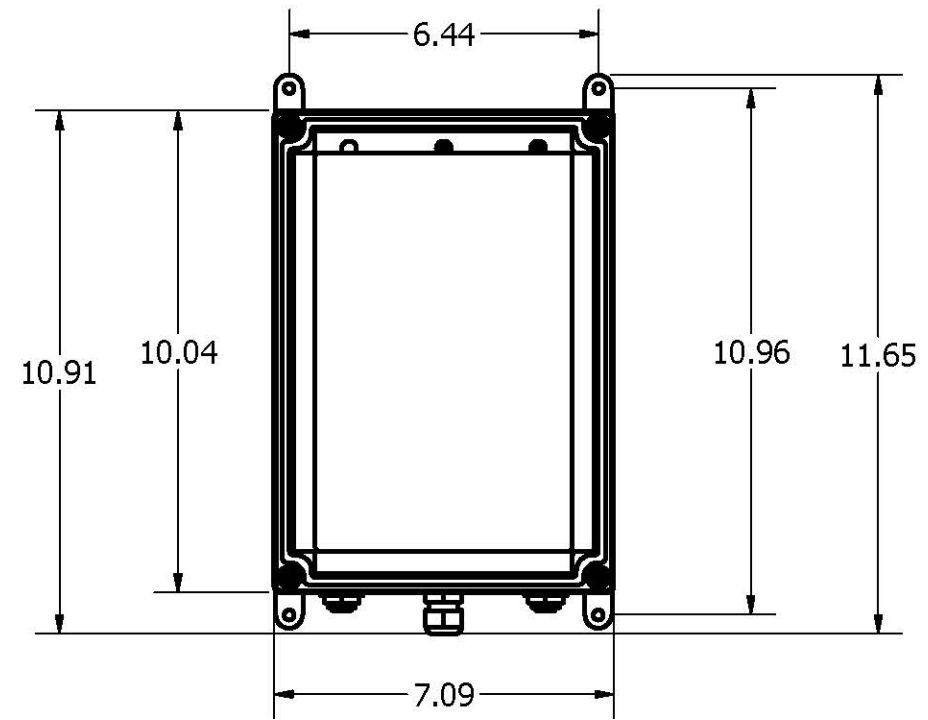


**DRAWING FOR:**  
99127



*Revision Date: 08/27/2021*