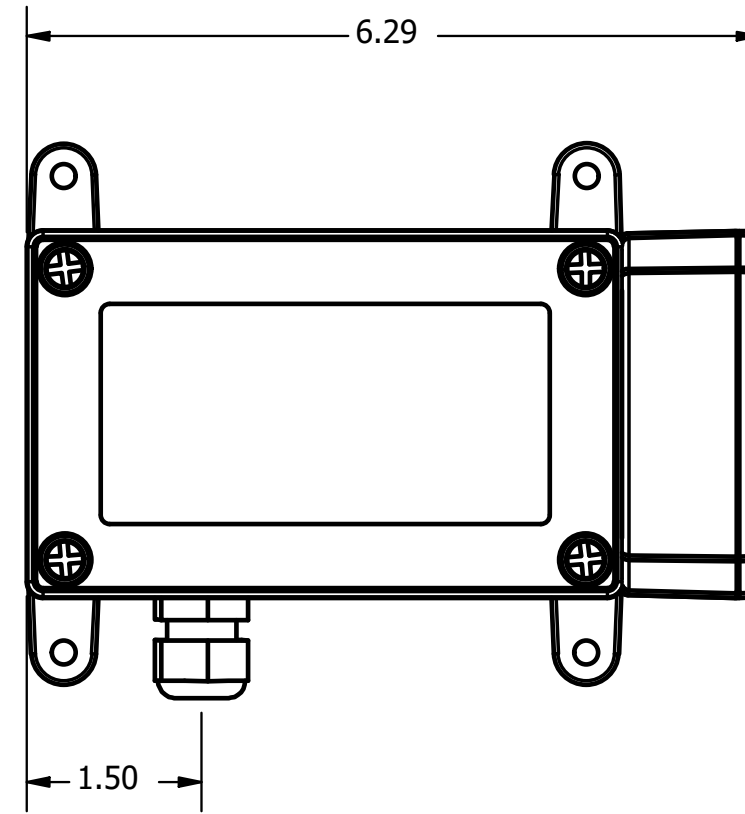
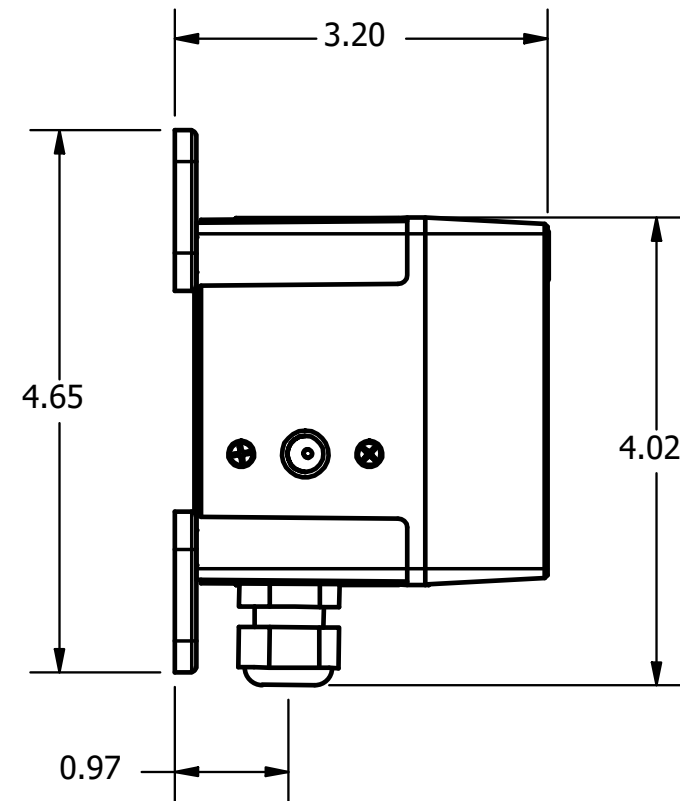


Drawing For:
99174



Revision Date: 08/27/2021