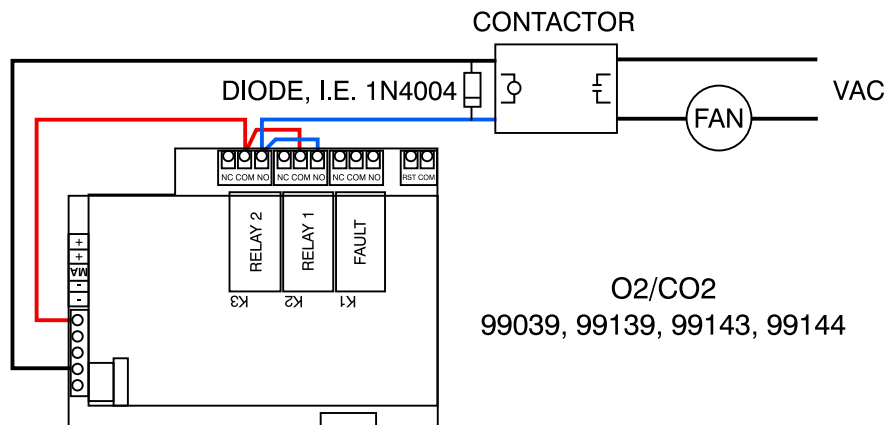
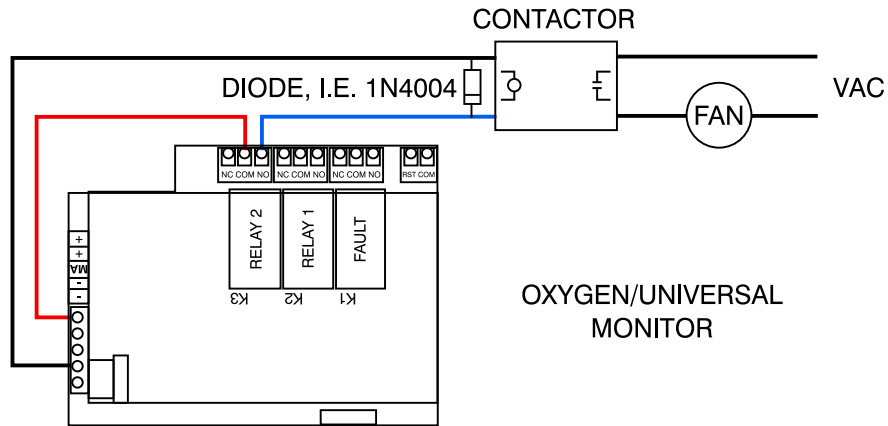
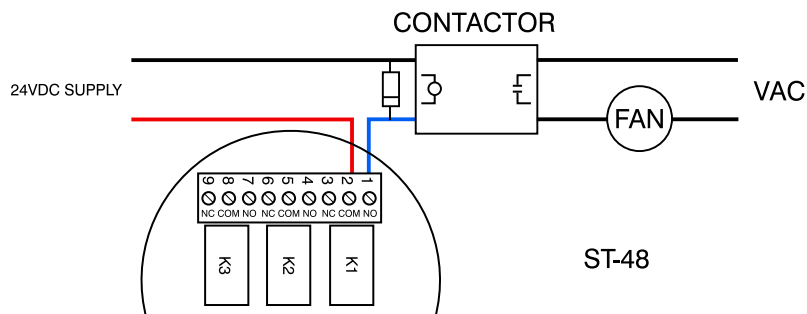


EXTERNAL RELAY FOR LOADS >2A



DIAGRAMS FOR 99016, 99029, 99129, 99028, 99145, 99097, 99141, 99035, 99128, 99020, 99045, UNLESS NOTED.



**NOTE:** ENSURE CONTACTOR CHOSEN HAS 24VDC COIL AND IS CURRENT-RATED FOR YOUR LOAD