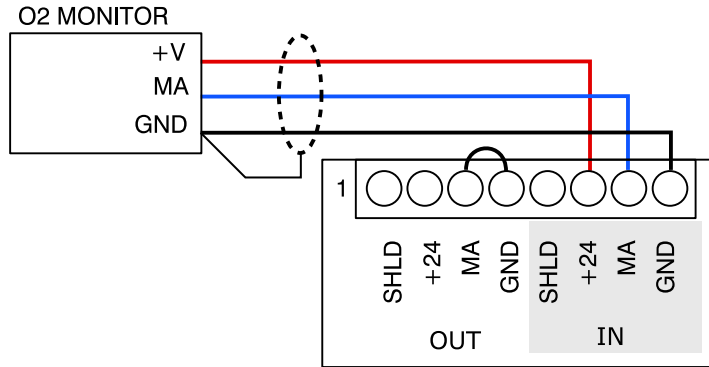


REMOTE DISPLAY WIRING

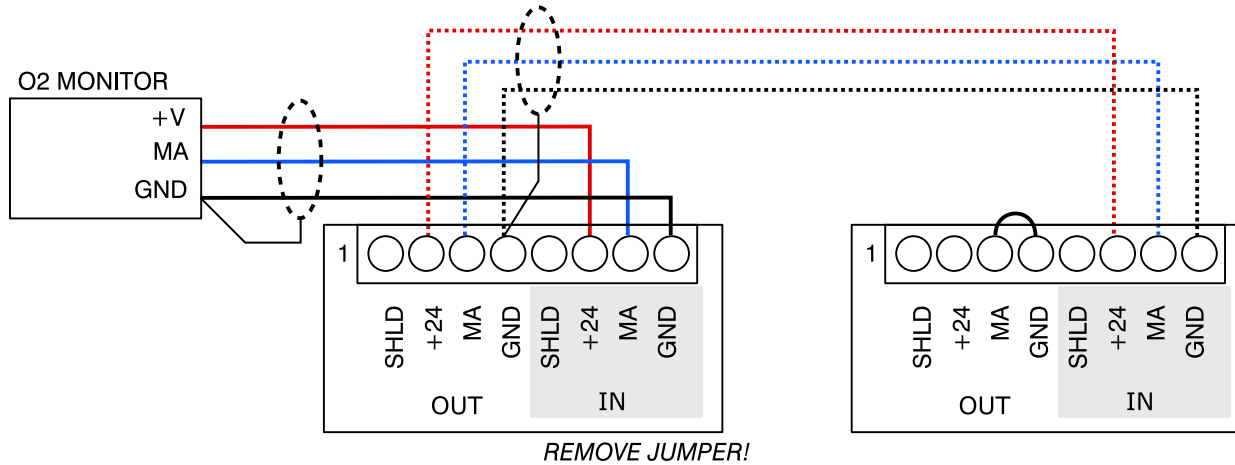
SINGLE



DIAGRAMS FOR 99016, 99020, 99028, 99029, 99035, 99039, 99045, 99097, 99128, 99129, 99139, 99141, 99143, 99144, 99145.

****Please Note: An 18 AWG, three conductor, shielded control and instrumentation cable, Belden 8770, or equivalent, is recommended for the connection.**

DUAL



PLC

