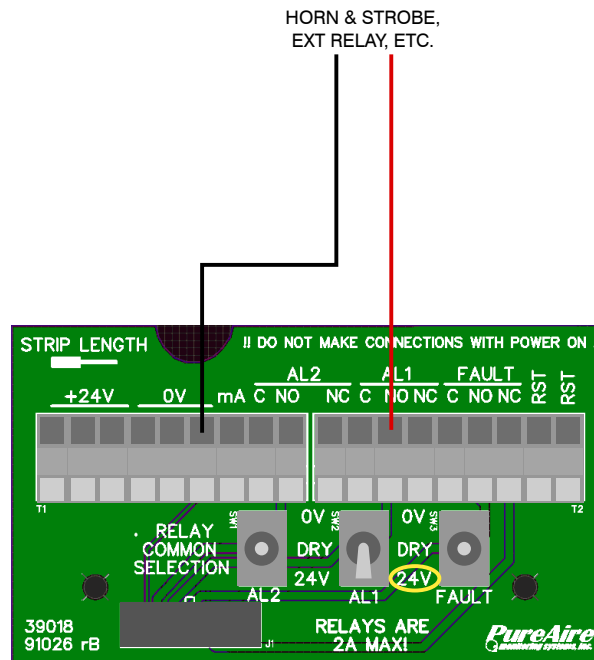
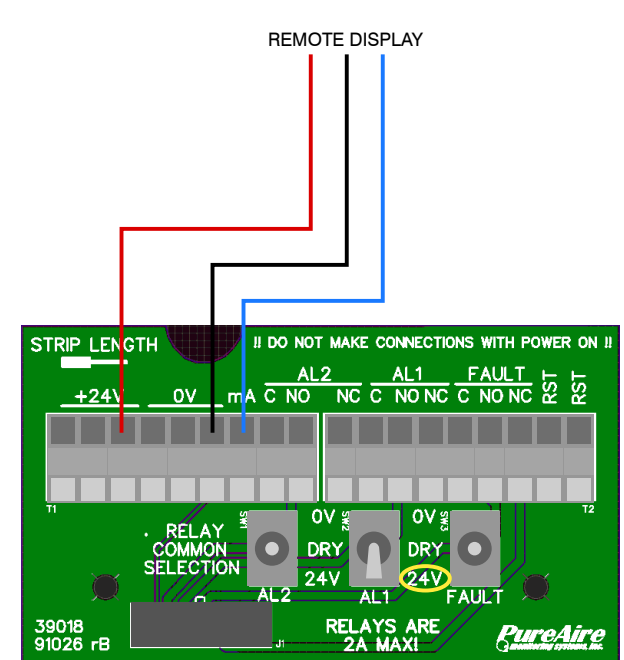


SWITCHED GROUND



SWITCHED POSITIVE



SWITCHED POSITIVE

BE AWARE OF COMMON TERMINALS WHEN SWITCHES ARE IN 0V OR 24V POSITIONS!

SWITCHES ALLOW EASY, JUMPERLESS CONNECTION OF 24V OR GROUND TO EACH RELAY COMMON.