



FEATURES

- Long-life 10+ year average sensor life
- Two, user-adjustable, alarm relay setpoints available or default alarms are set to 19.5% and 18.0%
- Built-in audible alarm 90 db
- 3 year warranty
- Digital display
- 4-20mA analog output (Active)
- Wall mounting brackets
- 24V DC Power Supply Included(99016)
- International Power Supply Included(99116)



Oxygen Deficiency Monitor with 10+ Year Sensor 0-25%

ITEM #: 99016 - Includes Domestic Power Supply

ITEM #: 99116 - Includes International Power Supply

Product Summary

PureAire's Oxygen Deficiency Monitor is perfect for facilities that use inert gases, including, but not limited to, nitrogen, helium, and argon. The monitor is well suited for confined spaces, cryogenic locations, and freezers. The monitor will remain accurate at temperatures as low as -40C. PureAire's durable, non-depleting, zirconium oxide sensor will last 10+ years in a normal environment without needing to be replaced.

Facilities That Need This Product

- *Pharmaceutical Manufacturers*
- *Laboratories*
- *Hospitals*
- *Cryogenic locations*
- *Food Processing*

Why choose PureAire?

PureAire Monitoring Systems, Inc. is a leader in oxygen monitoring and gas detection. For over 25 years, we have dedicated ourselves to the safety of our clients, and the customers they serve, by manufacturing monitors that are long-lasting, accurate, and reliable. PureAire takes pride in providing exceptional customer service, along with 24/7 availability to our technical service department.

What is an Oxygen Deficiency Monitor?

The Oxygen Deficiency Monitor is designed for continuous monitoring in confined spaces where low oxygen levels pose a hazard to personnel.

What gases can be detected with an Oxygen Deficiency Monitor?

PureAire's oxygen deficiency monitors continuously measure oxygen levels in an ambient atmosphere where inert gases, including nitrogen, argon, helium and carbon dioxide are used.

Easy to Use

The monitor arrives ready to work right out of the box. Simply secure the unit to the wall 3-5 feet from the gas source, plug it in, and power it on. The monitor will begin sampling oxygen levels after a brief startup period. Oxygen levels are displayed clearly on the screen for easy access and visibility.

Top Advantages of Oxygen Deficiency Monitor



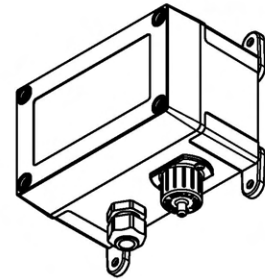
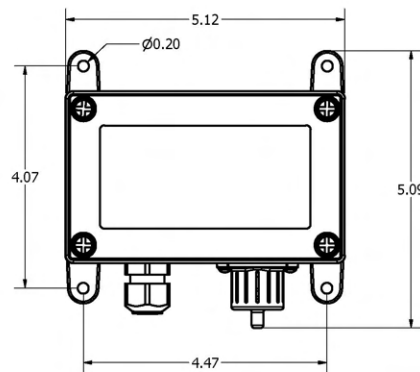
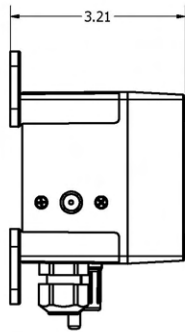
Oxygen Deficiency Alarm

PureAire's O2 Monitor comes with 2 adjustable alarm setpoints that can connect to a horn/strobe, exhaust fan, 8 channel controller, remote display, or into building systems. Alarm signals also can tie into automatic shut-off valves when oxygen levels fall below the OSHA threshold.



Easy To Use

The Air Check O2 Deficiency Monitor provides constant monitoring with little to no adjustments, saving you time and money while allowing the monitor to operate seamlessly. Our quality sensor makes this the longest lasting O2 monitor on the market.



Top Accessories



**8 Channel Touch Screen
Controller for O2 or Gas Monitors**
ITEM #: 99233



Remote Digital Display
ITEM #: 99091



Red Horn/Strobe
ITEM #: 42002

PureAire
monitoring systems, inc.

1-888-788-8050
info@pureaire.net
pureairemonitoring.com

1140 Ensell Road
Lake Zurich, IL 60047
1-847-726-6000