



PureAire Monitoring Systems, Inc.

1140 Ensell Road

Lake Zurich, IL. 60047

Phone: 847-726-6000

Fax: 847-726-6051

Toll-Free: 888-788-8050

E-mail: pureire@dls.net

Web: Pureairemonitoring.com

Revision 3.1 April 2024



Warning: Read & understand contents of this manual prior to operation. Failure to do so could result in serious injury or death.

Users are responsible for correct translations of this manual into their native language

| | |
|---|----|
| SECTION 1 – SAFETY INFORMATION | 1 |
| 1.1 Safety Information – Read Before Installation & Applying Power | 1 |
| 1.2 Contacting PureAire Monitoring Systems, Inc. | 1 |
| SECTION 2 – INSTALLATION INSTRUCTIONS | 1 |
| 2.1 Introduction..... | 1 |
| 2.2 Ratings and Certifications | 2 |
| 2.2.1 ST-48 ATEX Certified Model..... | 3 |
| 2.3 Sensor Location | 3 |
| 2.4 Mounting the Enclosure..... | 3 |
| 2.5 System Design Specifications | 5 |
| 2.6 Field Wiring Installation | 6 |
| 2.7 2-Wire 4-20mA Intrinsically Safe & Explosion Proof Installations | 6 |
| 2.7 a Installation Drawing # 11-0100..... | 8 |
| 2.8 3-Wire 4-20mA Mode Installation | 9 |
| 2.9 Alarms / RS-485 Modbus 10-0234 Option Installation | 9 |
| 2.10 Isolated 4-20mA Output 10-0250 Option | 11 |
| 2.11 Sensor Installation (with Smart / Simple Sensor Definition)..... | 11 |
| 2.12 “Sensor Type” and ST-48 Signal Conditioning | 12 |
| SECTION 3 – INITIAL START-UP | 13 |
| 3.1 “Transmitter Configuration” Menu | 13 |
| 3.1.1 Single / Dual Gas Monitor Configuration | 14 |
| 3.1.2 Output Zero / Output Span Trims (Factory Preset, Technicians only!) | 14 |
| 3.1.3 Model Name | 14 |
| 3.2 Initial Catalytic Bead LEL Monitor Start-Up..... | 14 |
| 3.2.1 Initial Catalytic Bead LEL Monitor “Sensor Volts” Check | 14 |
| 3.2.2 Initial Catalytic Bead LEL Monitor “Balance” Check..... | 15 |
| 3.2.3 Initial Catalytic Bead LEL Monitor “Span” Check..... | 15 |
| 3.3 Initial Toxic Monitor Start-Up | 15 |
| 3.3.1 Initial Toxic Monitor “Span” Check | 15 |
| SECTION 4 – OPERATING INSTRUCTIONS | 15 |
| 4.1 Routine Sensor Calibrations | 15 |
| 4.2 ALARM OPERATION | 17 |
| 4.2.1 ALARM 3 – UNDERSTANDING FAULT / LEVEL OPERATION | 17 |
| SECTION 5 – SETUP MENU CONFIGURATION | 17 |
| 5.1 Menus Database Configuration | 17 |
| 5.2 Configuration Using the Magnetic Wand | 18 |
| 5.3 System Configuration Menus: | 19 |
| Measurement Name..... | 19 |
| Eunits | 19 |
| Zero | 19 |
| Span | 19 |
| Decimal Points | 19 |
| Cal Span Value..... | 19 |
| Readout Deadband | 19 |
| Track Negative | 19 |
| Linearization Data..... | 19 |
| Backup Config. | 20 |
| Restore Config..... | 20 |
| Upload Sensor Data | 20 |
| TX Sensor Life..... | 20 |
| 5.4 Alarm Settings: | 20 |
| 5.4.1 Relay Configuration (if equipped) | 21 |
| 5.5 Sensor Information..... | 22 |
| 5.6 CLOCK/DELAY SETUP | 22 |
| 5.7 LCD Contrast Adj: | 23 |
| 5.8 HELP Screen | 23 |

| | | |
|---|--|-----------|
| 5.9 | Diagnostics: | 23 |
| 5.10 | RS-485 / MODBUS SETUP | 24 |
| 5.10.1 | MODBUS REGISTER AND FUNCTION CODE SUMMARY | 24 |
| 5.11 | SYSTEM SECURITY..... | 27 |
| SECTION 6 – TECHNICIANS ONLY MENUS | | 27 |
| 6.1 | Introduction..... | 27 |
| 6.2 | Set Balance / Set Sensor Voltage (Technicians only!) | 28 |
| 6.3 | Set Gain to Unity (Technicians only!)..... | 29 |
| 6.4 | PreAmp Gain Adjust (Technicians only!)..... | 29 |
| 6.5 | Simple Sensor Input Type (Technicians only!) | 29 |
| 6.6 | Zero Cal Value (Technicians only!)..... | 30 |
| 6.7 | Raw Min / Max Counts (Technicians only!)..... | 30 |
| 6.8 | 4-20mA Input Marker / Message (Technicians only!)..... | 31 |
| SECTION 7 – SPECIAL ORDER CONFIGURATIONS | | 31 |
| 7.1 | ARCTIC Option | 31 |
| 7.1.1 | ARCTIC Smart Sensor Temperature Setpoint Option | 31 |
| 7.2 | Special Order; 18VAC Primary Power Supply Option | 31 |
| 7.3 | Special Order; 4-20mA Input to Catbead Channel | 32 |
| 7.3.1 | 4-20mA Input Marker / Message (Technicians only!) | 33 |
| Appendix | | 35 |
| Optional Calibration Equipment | | 35 |

SECTION 1 – SAFETY INFORMATION

1.1 Safety Information – Read Before Installation & Applying Power

IMPORTANT

Users should have a detailed understanding of ST-48 operating and maintenance instructions. Use the ST-48 only as specified in this manual or detection of gases and the resulting protection provided may be impaired. Read the following **WARNINGS** prior to use.

WARNINGS

- Calibrate with known target gas at start-up and check on a regular schedule. More frequent inspections are encouraged to spot problems such as dirt, oil, paint, grease or other foreign materials on the sensor head.
- Do not paint the sensor assembly or the Transmitter.
- Do not use the ST-48 if its enclosure is damaged or cracked or has missing components.
- Make sure the cover, internal PCB's and field wiring are securely in place before operation.
- Use only a sensor assembly compatible with the ST-48
- Periodically test for correct operation of the system's alarm events by exposing the monitor to a targeted gas concentration above the High Alarm setpoint.
- Do not expose the ST-48 to electrical shock or continuous severe mechanical shock.
- Protect the ST-48 from dripping liquids and high power sprays.
- Use only for applications described within this manual.

CAUTION: FOR SAFETY REASONS THIS EQUIPMENT MUST BE OPERATED AND SERVICED BY QUALIFIED PERSONNEL ONLY. READ AND UNDERSTAND INSTRUCTION MANUAL COMPLETELY BEFORE OPERATING OR SERVICING.

ATTENTION: POUR DES RAISONS DE SÉCURITÉ, CET ÉQUIPEMENT DOIT ÊTRE UTILISÉ, ENTRETENU ET RÉPARÉ UNIQUEMENT PAR UN PERSONNEL QUALIFIÉ. ÉTUDIER LE MANUE D'INSTRUCTIONS EN ENTIER AVANT D'UTILISER, D'ENTREtenir OU DE RÉPARER L'ÉQUIPEMENT.

1.2 Contacting PureAire Monitoring Systems, Inc.

To contact PureAire Monitoring Systems, Inc. call, fax, email or write:
888-788-8050 FAX 847-726-6051 Email: info@pureaire.net 1140 Ensell Road, Lake Zurich Illinois 60047
Or visit us at: www.pureairemonitoring.com

SECTION 2 – INSTALLATION INSTRUCTIONS

2.1 Introduction

Important: This manual describes both the 2-Wire and the 3-Wire 4-20mA versions of the ST-48. 2-Wire versions are only possible if the 10-0232 Display PCB IS THE ONLY PCB IN THE ENCLOSURE. If the 10-0233 I/O Power Supply is installed it is a 3-Wire version.

The ST-48 is a single or dual channel fixed-point monitor designed to provide continuous monitoring of hazardous gases in the workplace. Monitored values are displayed in their engineering units as well as graphically as a bar graphs or 30-minute trends (Figure 2.1). Input types include Electrochemical toxic / oxygen sensors, catalytic bead combustible sensors, MOS solid-state sensors, as well as various millivolts, volt and 4-20mA inputs. Sensors supplied by the factory include an 8-wire *Smart Sensor* interface capable of configuration data uploads to the ST-48. Traditional 3-wire *Simple* sensors, without the smart interface, are also supported by the ST-48. Its advanced microcontroller electronics and superior graphic LCD operator interface offers

enhanced diagnostics and fault analysis not possible in competing products. The ST-48 provides a standard 4-20 mA output signal for connection to control systems or other alarm instrumentation. Available options include an Alarm Relay / RS-485-Modbus board or an Isolated 4-20mA output. Non-volatile memory retains all configuration data during power interruptions. The magnetic, non-intrusive calibration can be easily performed by one person without opening the enclosure. A standard "real time clock & calendar" feature allows data logging of calibrations and alarm events for recall to the LCD readout or over the serial port.

A separate PC compatible USB Interface allows a *Smart* sensor to be loaded with configuration variables via a PC and upload this data to the ST-48. This includes alarm set points, range, target gas, calibration constants and other variables required to match the ST-48 to a specific application. For traditional *Simple* sensors, without the smart interface, the USB interface allows direct ST-48 configuration from a PC or a six channel ST-48 *Educator* device.

Toxic and oxygen monitors are capable of 2-wire 4-20mA operation (section 2.7) when the alarms / Modbus option and LCD backlight are not required. Catalytic LEL sensors, or addition of the 10-0234 Alarms / Modbus option, require the 10-0233 I/O Power Supply board providing 3-wire 4-20mA operation (section 2.8).

Only periodic calibration checks are needed to assure dependable performance. Operator interface is very intuitive with the LCD displaying data both graphically as bargraphs / trends and in engineering units (Figure 2-1). Additional features include:

- No potentiometer or jumper settings required. All setup is with menus accessed via the LCD / magnetic keypad operator interface without opening the enclosure.
- Field adjustable alarm levels may be high, low, fault, fail-safe, latching and acknowledgeable.
- New alarms cause front LED's to flash and become steady after acknowledge.
- CAL MODE advises when to apply gas during calibrations
- One half hour trend screen shows rate of change of gas exposures
- Sensor life bargraph updates after each SPAN calibration.
- Modular design affords efficient installation and plug in sensors allow changing target gases after installation
- New smart sensors are recognized by the ST-48 and prompts users to either upload new configuration data or continue with data from the previous smart sensor.
- Sensors are industry proven for fast response and long life.

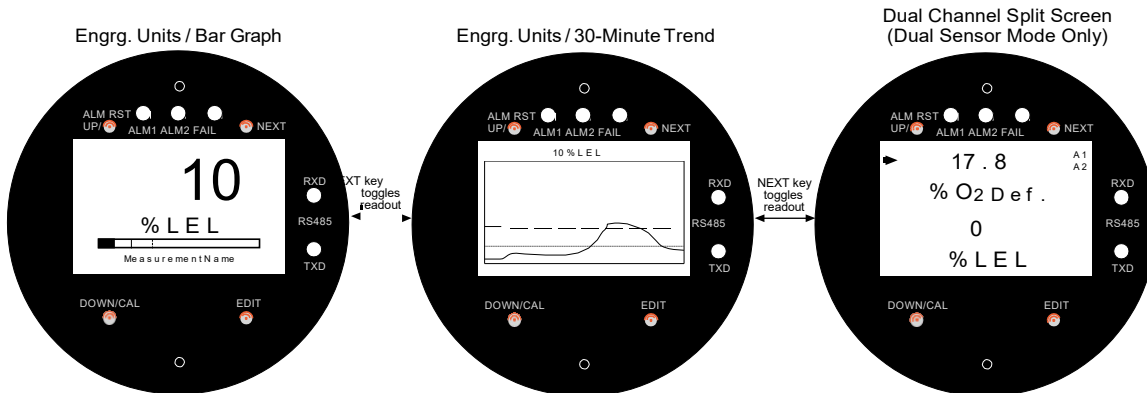


Figure 2-1: Data Displays

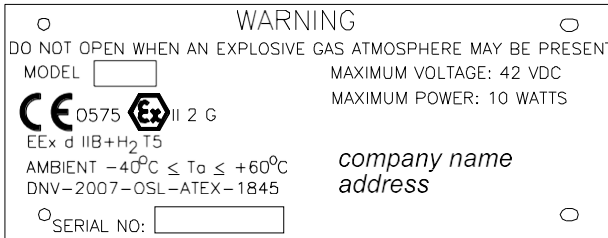
2.2 Ratings and Certifications

CSA certified for Division 1 & 2 hazardous area installations for explosion proof Class 1 Groups B,C,D, and intrinsically safe (ST-48/EC 2-wire loops only) Class 1 Groups A,B,C,D. Also see sections 2.7, 2.7a & 2.8. Designed to meet CSA C22.2 No.152 for Combustibles Monitors and ISA 92.0.01 Part 1 for Toxic Monitors.

2.2.1 ST-48 ATEX Certified Model

An ATEX certified ST-48 model (certificate # DNV-2007-OSL-ATEX-1845) is also available by changing the ST-48 designation to ST-ATEX48. ATEX certified models including sensors are supplied only with sensor head part # 10-2072 and are not available with the 10-0247 sensor head or the 0010-1200 "Y" fitting. ATEX installations must be in compliance with EN60079-14 or suitable National or international standard and all cable glands and closing devices must carry a suitable ATEX marking.

The ATEX label is shown below:



2.3 Sensor Location

Factors such as air movement, gas density in relation to air, emission sources and environmental variables affect correct sensor location. Air movement by fans, prevailing winds and convection should be carefully evaluated to determine if a leak is more likely to raise gas levels in certain areas within the facility. Vapor density of a gas determines if it will rise or fall in air when there are no significant currents. Lighter than air gases should have the monitors mounted 12 – 18 inches (30 – 45 centimeters) above the potential gas leak and heavier than air gases should be this distance below. Even though the ST-48 is designed for rugged service, sensors should be protected from environmental damage from water, snow, shock, vibration and dirt.

2.4 Mounting the Enclosure

The ST-48 standard enclosure is a cast aluminum explosion-proof (NEMA 7) enclosure as shown in Figure 2-2. Figure 2-2a shows dimensions with the dual local sensor 'Y' included.

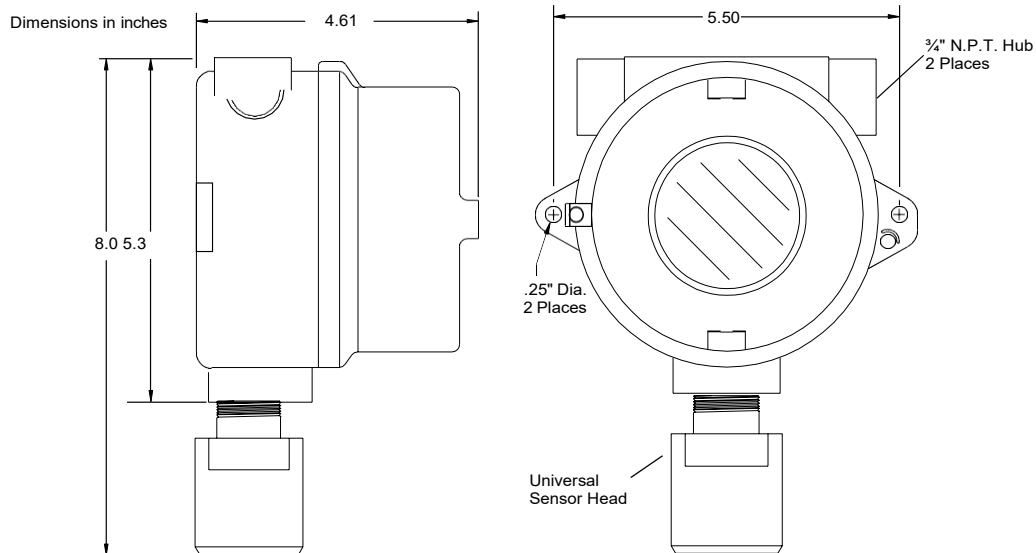


Figure 2-2: ST-48 Explosion-Proof Housing

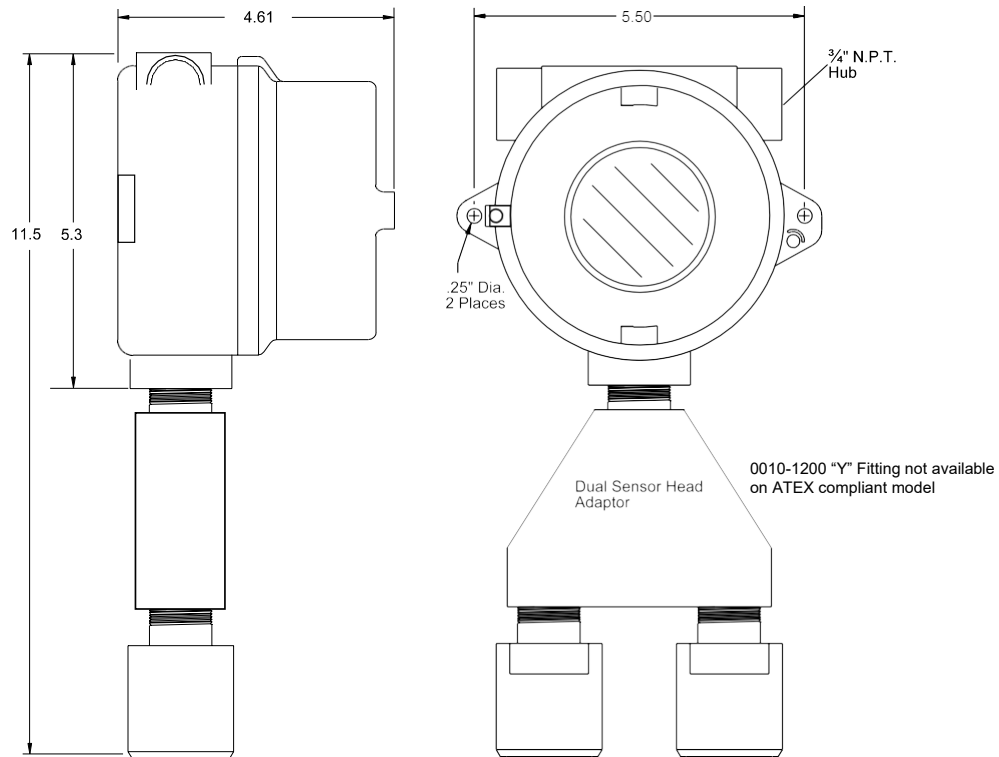


Figure 2-2a: ST-48 Explosion-Proof Housing with Dual Sensor Head Adaptor

Modular design simplifies the installation of the ST-48 (Figure 2-3). A top Display Assembly is mounted with captive thumbscrews and is easily removed to access field-wiring terminals. An optional 10-0234 Alarms/Modbus board mounts *piggyback* to the back of the Display Assembly. Wiring from toxic or oxygen sensors terminates at the 10-0232 Display Assembly along with 2-wire 4-20mA signal wires. This Display Assembly is the only PC board supplied with toxic / oxygen ST-48s not requiring relays, RS-485 Modbus or LCD backlight. The optional bottom 10-0233 I/O Power Supply board generates voltages needed for LCD backlight, relays, RS-485 Modbus and catalytic bead LEL sensor and is required with any of these I/O functions. The enclosure is equipped with two threaded 3/4 inch NPT conduit fitting outlet and pre-drilled mounting flanges.

WARNING: Qualified personnel should perform the installation according to applicable electrical codes, regulations and safety standards. Insure correct cabling and sealing fitting practices are implemented. Do not aim the sensor pointing upward. Install the ST-48 to a wall or bracket using the predrilled mounting flanges with I.D. 0.25 on 5.5 inch centers (Figure 2-2). If conduit is rigid and able to support the weight of the ST-48, the mounting bolts may be omitted.

CAUTION: The sensor should never be installed pointing upwards.

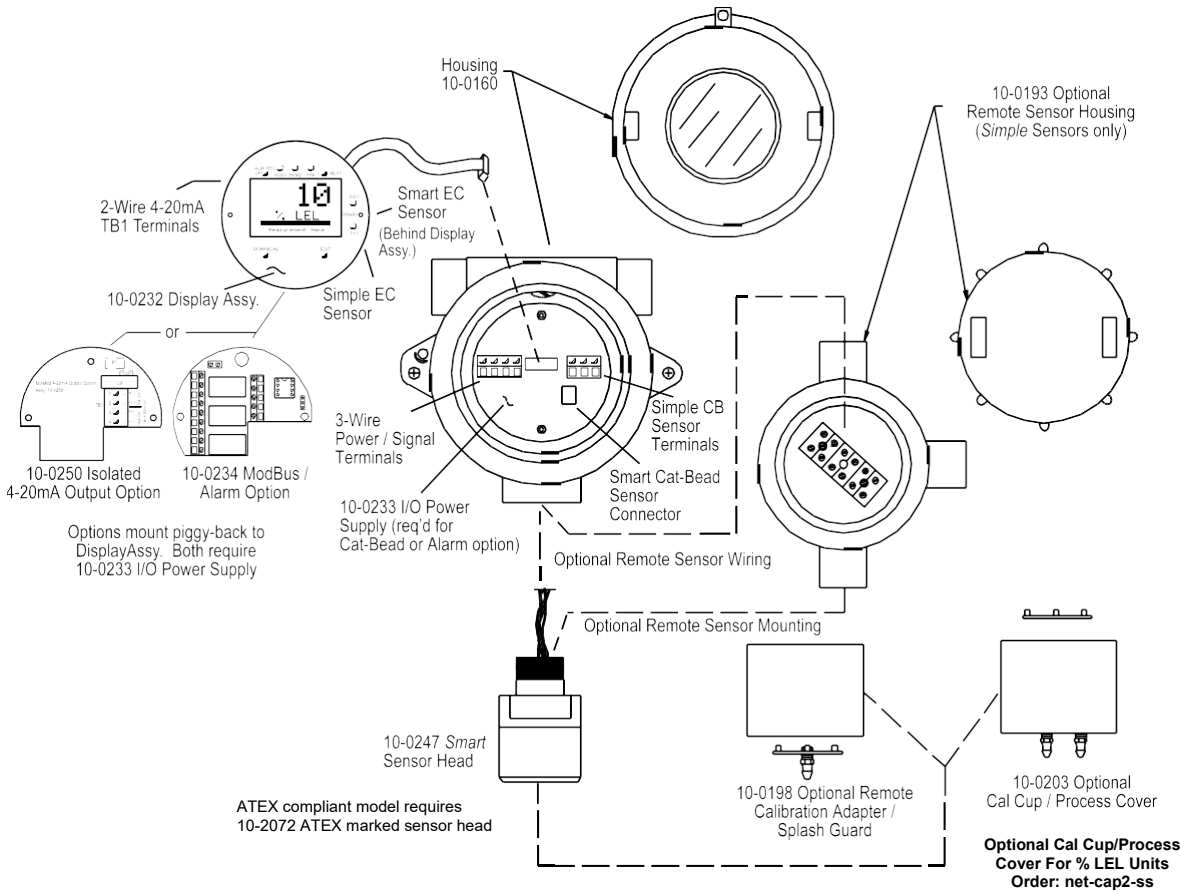


Figure 2-3: Outline Drawing

2.5 System Design Specifications

Supply Voltage:

10 to 30 volts

Power Consumption:

- Catalytic Combustible Sensors (requires 10-0233 I/O Power Supply and 3-wire operation): 100 mA @ nominal 24 VDC
- Toxic/Oxygen Sensors without Relays / Modbus Option (2-wire 4-20mA operation): 25 mA @ nominal 24 VDC.
- Relays / RS-485 Modbus Option Board (requires 10-0233 I/O Power Supply and 3-wire operation): 40 mA per relay (120 mA total with all 3 energized); RS-485 use adds 20mA

Memory:

Non-volatile E2 memory retains configuration values in the event of power outages.

Loop Resistance at nominal 24 VDC power:

650 ohms maximum in 2-wire mode
750 ohms maximum in 3-wire mode.

Relays (Optional):

Three configurable form C (SPDT) relays rated for 5 amp at 30 VDC or 240 ~VAC **RESISTIVE**.

Relay 1 and Relay 2 level alarms are configurable for HIGH or LOW trip, for normally energized (Failsafe) or normally de-energized and for latching or non-latching.

Relay 3 is always normally energized for failsafe operation so loss of power to the ST-48 will be indicated as a "FAULT" condition.

CAUTION: Relays are rated for RESISTIVE loads. Inductive loads, such as contactor coils or motors may cause contact arcing, which emits RFI into the sensor signals. Use appropriate snubbers and MOV's across inductive loads and keep wiring away from signal wires.

2.6 Field Wiring Installation

4-20mA Transmission Range Info:

The distance 4-20 mA signals can travel is dependent upon several factors including the cable gauge, DC power supply voltage level and impedance of the input of the receiving device. Assuming a nominal 24 VDC power supply, maximum total loop resistance is 650 ohms in the 2-wire mode.

Note: PureAire's ST-35 and ST-71 Controllers have input resistance of 100 ohms.

2.7 2-Wire 4-20mA Intrinsically Safe & Explosion Proof Installations

ST-48/EC's equipped with 10-0247 sensor heads are NRTL (Nationally Recognized Testing Lab) certified as suitable for both intrinsically safe and explosion proof installations. ST-48/EC's equipped with 10-0247IS sensor heads (XP flame arrestor is not installed to allow monitoring of highly reactive gases such as chlorine) are NRTL certified as suitable for intrinsically safe installations. All ST-48/EC's are NRTL certified for explosion proof installations as long as the sensor head is CSA certified as explosion proof. Follow instructions on Installation Drawing # 11-0100 in section 2.7a for correct intrinsically safe installations.

Description:

The 2-wire current sinking transmitter is the easiest and most economical to install since there are only two wires. All of the power needed comes from the current loop and wire sizes may be smaller. However, only very low power applications are eligible for such transmitters. The ST-48/EC Display assembly shown in Figure 2-4 consumes <2.5 mA of quiescent current. Toxic and oxygen electrochemical sensors generate their own signals and therefore require no additional current. If a 4-20mA output is all that is required for toxic / oxygen measurements (no LCD backlight, alarms or RS-485) the ST-48/EC may be used in the 2-wire mode.

CAUTION: It is important to understand the receiver, or controller device must supply the loop power in 2-wire 4-20mA modes. Be sure the receiver to be used supports this type of operation.

Instructions:

Unscrew the cover on the ST-48/EC explosion-proof enclosure. Loosen the 2 thumbscrews holding the display assembly in place and remove it. A small sensor cable is attached with sufficient length to allow access to the back of the display assembly where 2 position TB1 is located. Route the receiver wires through the conduit entry and connect to TB1. Steering diodes in the ST-48/EC 2-wire 4-20mA output automatically correct for polarity so positive and negative are interchangeable. Reassemble the ST-48/EC. Follow the procedures and recommendations in the receiver manual to complete the installation. Be sure the ST-48/EC enclosure and conduit are properly grounded. Apply loop power by appropriately powering the receiver device (DCS, PLC, Controller, etc.) and the ST-48/EC should function. Proceed to section-3.

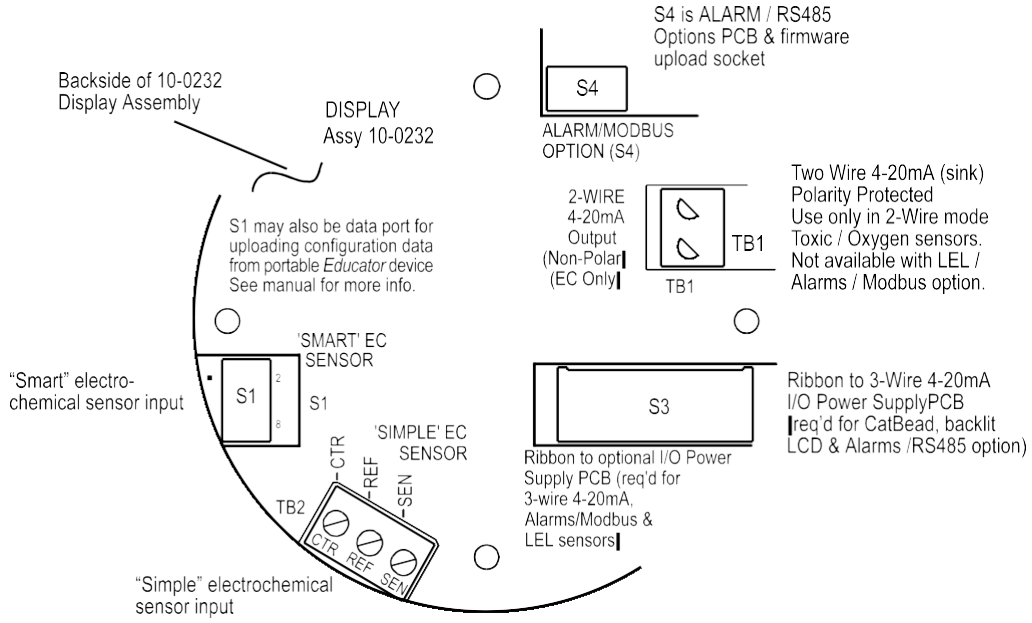
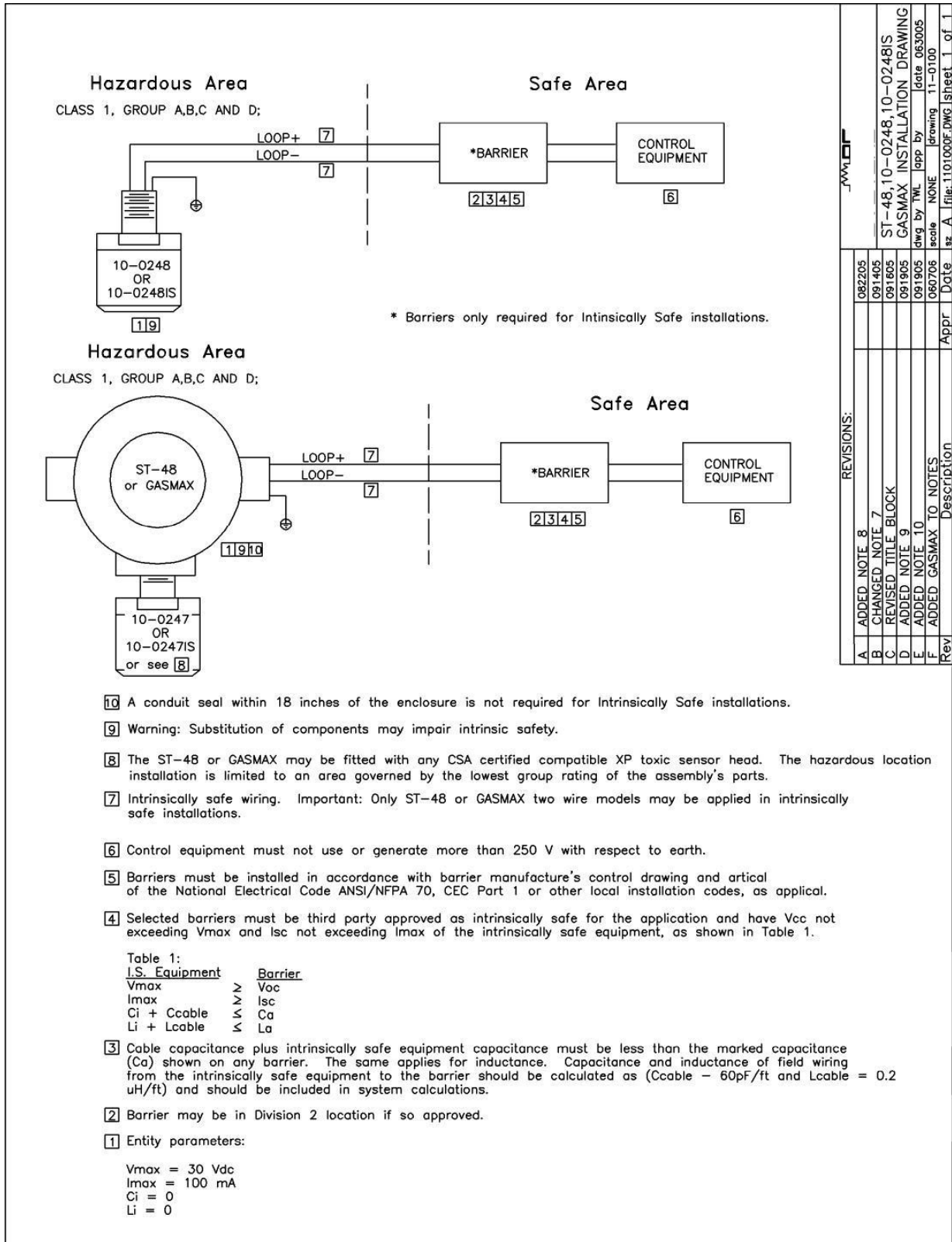


Figure 2-4: 10-0232 Display / 2-Wire 4-20mA Assembly

2.7a Installation Drawing # 11-0100



2.8 3-Wire 4-20mA Mode Installation

CAUTION: ST-48's equipped with the 10-0233 I/O Power Supply board only operate as 3 or 4-wire 4-20mA transmitters and are not compatible with 2-wire intrinsically safe installations (see sections 2.7 and 2.7a). Such units should not be combined with 10-0247IS Sensor Heads without flame arrestors unless the area is classified as non-hazardous.

ST-48/II's equipped with the 10-0233 I/O Power Supply and 10-0234 Alarms / Modbus option are NRTL certified as suitable for Div 1 & 2 Groups B,C,D explosion proof installations with the 10-0247 or with any sensor head with an equivalent CSA certification.

Description:

3-wire sourcing transmitters require an additional dedicated 24 VDC wire. The 4-20mA loop current is then delivered, or sourced, from the transmitter output and the receiver device must not provide 24 VDC from its input terminal. When the ST-48 is equipped with the bottom 10-0233 I/O Power Supply board shown in Figure 2-5, the 2-wire 4-20mA output is disabled and one of the 10-0233's 3-wire outputs must be used. TB2 terminal 2 is for ECHEM toxic / oxygen 3-wire 4-20mA output signals and TB2 terminal 3 is for LEL 3-wire 4-20mA output signals.

Instructions:

Unscrew the cover on the ST-48 explosion-proof enclosure. Loosen the 2 thumbscrews holding the display assembly in place and remove it. A small ribbon cable is attached with sufficient length to allow access to the I/O PCB mounted in the bottom of the enclosure (Figure 2-5). Power and signal connections are to TB2 where 24 VDC, Signal and Common wires must be connected. A blocking diode protects the ST-48 if polarity of the power supply is reversed but it will not operate. Reassemble the ST-48. Follow the procedures and recommendations in the receiver and power supply manuals to complete the installation. Be sure the ST-48 enclosure and conduit are properly grounded. Apply power and the ST-48 should function. Proceed to section-3.

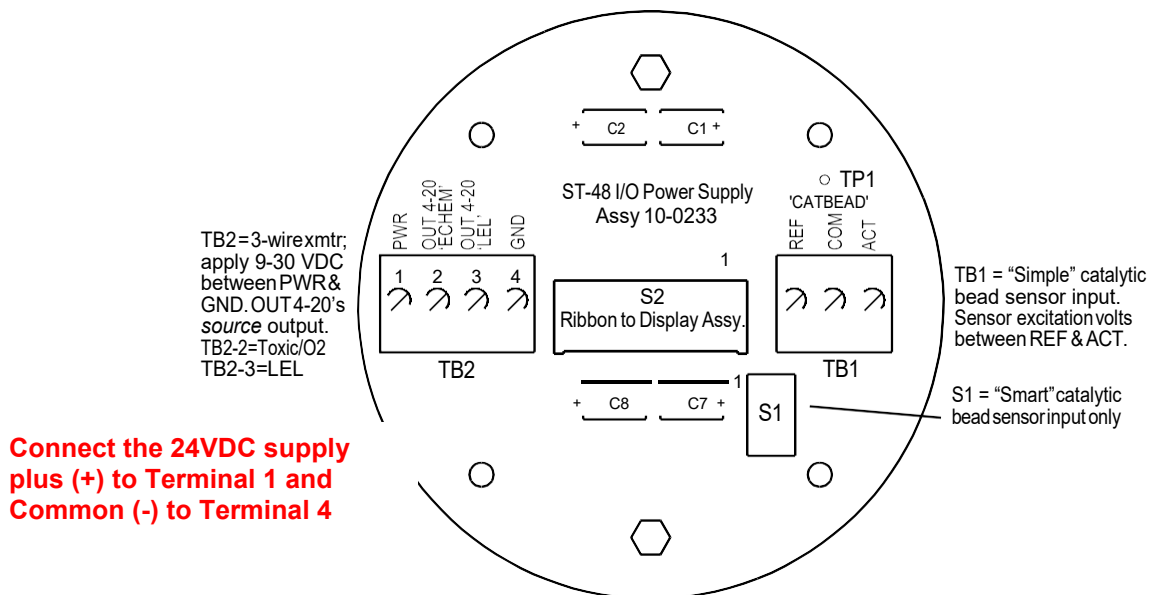


Figure 2-5: 10-0233 I/O Power Supply / 3-Wire 4-20mA Assembly

2.9 Alarms / RS-485 Modbus 10-0234 Option Installation

Description:

The optional 10-0234 Alarms/RS-485 Modbus board supplies two level alarm relays, a FAULT relay and an RS-485 Modbus RTU slave port (Figure 2-6). This board is "piggybacked" behind the 10-0232 Display Assembly (Figure 2-3). Addition of this option requires 3-wire mode 4-20mA

operation and thereby requires the 10-0233 I/O Power Supply board (Figure 2-5). This is since relays and RS-485 circuits require much more power than 2-wire 4-20mA loops can deliver.

CAUTION: Alarm relays have dry contacts and power must be supplied from an external source. Contacts are rated for RESISTIVE loads! Inductive loads, such as contactor coils or motors, may cause contact arcing, which shortens life and emits RFI into the sensor signals. Use appropriate arcing snubbers and MOV's across inductive loads and keep wiring away from signal wires. External wiring to TB3 (Remote Alarm Reset) should be shielded and protected from noise spikes to prevent false Alarm Reset.

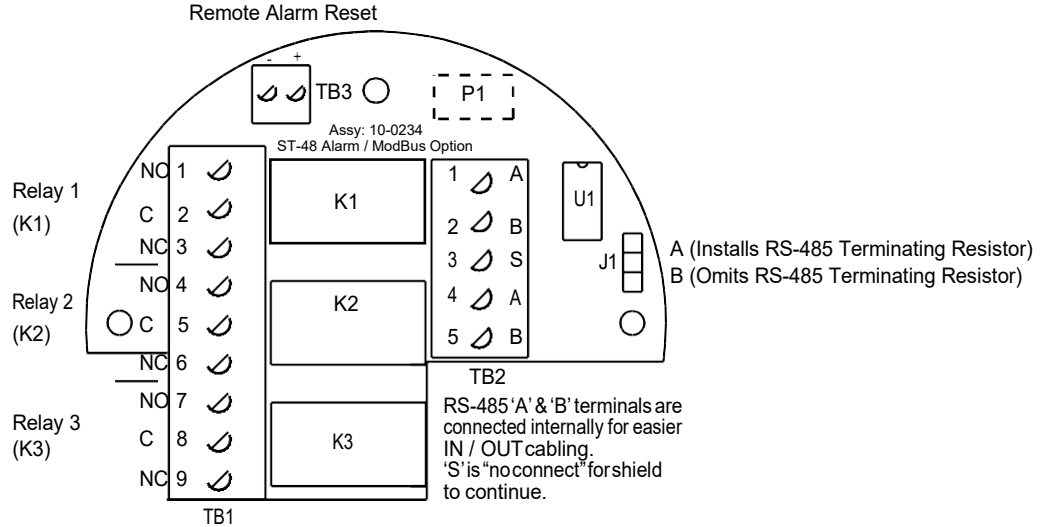


Figure 2-6: 10-0234 Alarm Relays / Modbus Option

Instructions:

Unscrew the cover on the ST-48 explosion-proof enclosure. Loosen the two thumbscrews holding the display assembly in place and remove it. A small ribbon cable is attached with sufficient length to access the back of the Display assembly where the Alarms/RS-485 Modbus board option is located. It is possible to use only the relays, only RS-485, or use both. Relay terminals are labeled NO (normally open), NC (normally closed) and C (common or the pole). These designators correspond to the shelf, or de-energized, state of the relays. The FAULT relay is always failsafe, meaning it is energized when there is not a fault condition and therefore its action is reverse of the designators.

RS-485 Modbus networks should be wired as shown in Figure 2-7. Each ST-48 connected represents an RTU and must have a unique RTU address. RTU addresses are assigned in the Modbus setup menu described in section 4.10. Cabling must be a "daisy chain" as opposed to a "star" pattern for reliable operation. The "end of line" unit should have J1 installed in the 'A' position for terminating resistor installation. All others should have J1 in the 'B' position. Front panel Rx / Tx LEDs are helpful troubleshooting tools.

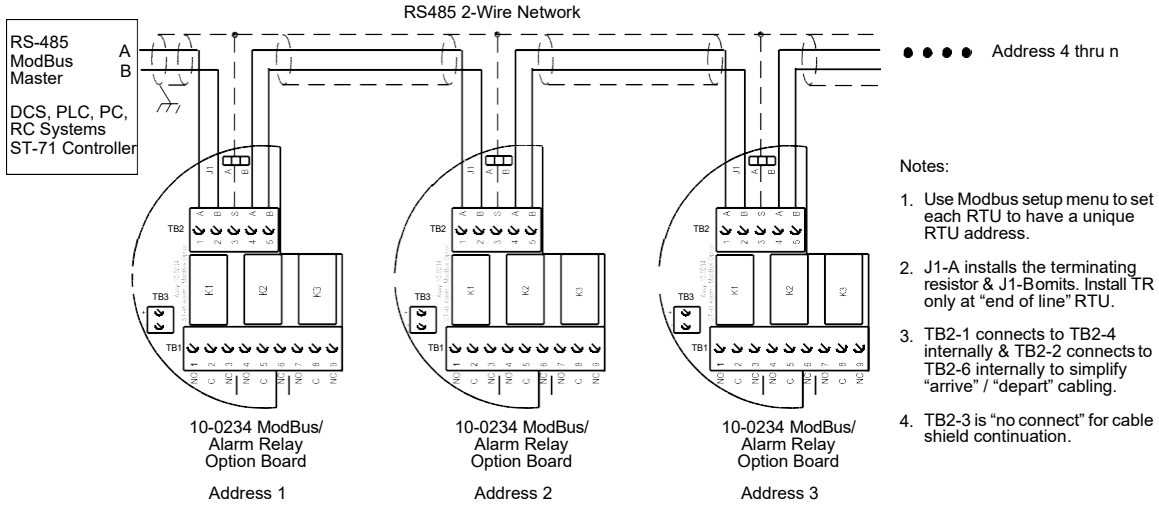


Figure 2-7: RS-485 Modbus Wiring

2.10 Isolated 4-20mA Output 10-0250 Option

Description:

The optional 10-0250 Isolated 4-20mA option (Figure 2-8) provides dual 4-20mA outputs that are electrically isolated from sensor inputs and the 24 VDC power source. Each 4-20mA output share the same common terminal and are not isolated from each other. This board is "piggybacked" behind the 10-0232 Display Assembly (Figure 2-3). Addition of this option requires 4-wire mode 4-20mA operation and thereby requires the I/O Power Supply board (Figure 2-5).

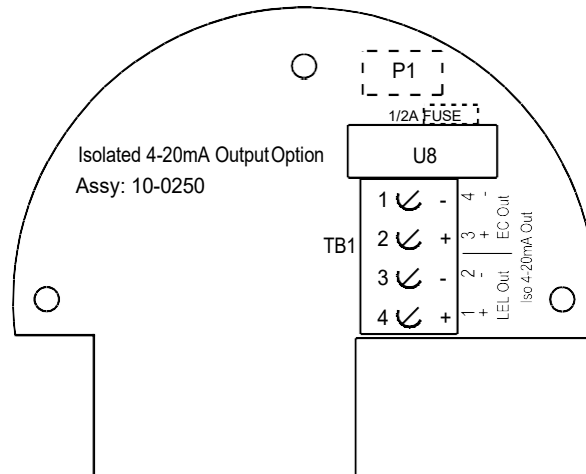


Figure 2-8: 10-0250 Isolated 4-20mA Output Option

2.11 Sensor Installation (with Smart / Simple Sensor Definition)

Many manufacturers offer industry standard electrochemical and catalytic bead sensors for toxic and LEL combustible gas detection. These are referred to as **Simple** sensors in this manual. The ST-48 design accommodates users wishing to continue use of their existing simple sensors by accepting electrochemical types into TB2 of the 10-0232 Display Assembly or catalytic bead types into TB1 of the 10-0233 I/O Power Supply (mounted to the bottom of the enclosure). The ST-48 **Smart Sensor** interface also uses proven electrochemical technology for toxic and catalytic bead for LEL combustibles BUT has taken this technology a step further. A tiny memory IC is incorporated into ST-48 factory supplied Smart sensors allowing them to contain the entire

database of ST-48 parameters onboard the replaceable Smart Sensor assembly (Figure 2-9). This unique **Smart Sensor Interface** may be used to configure smart sensors and / or ST-48's from a PC rather than entering all variables via the magnetic keypad.

Electrochemical and catalytic bead smart sensors both plug into the 10-0247 **Smart Sensor Head** that connects to ST-48 electronics with its 8-conductor Smart Sensor Interface cable (Figure 2-9).

CAUTION: 10-0247 Smart sensor heads with electrochemical toxic sensors must connect to S1 located on the back of the 10-0232 Display Assembly (Figure 2-4). 10-0247 Smart sensor heads with catalytic bead combustible sensors must connect to S1 located on the optional I/O PCB assembly (Figure 2-5).

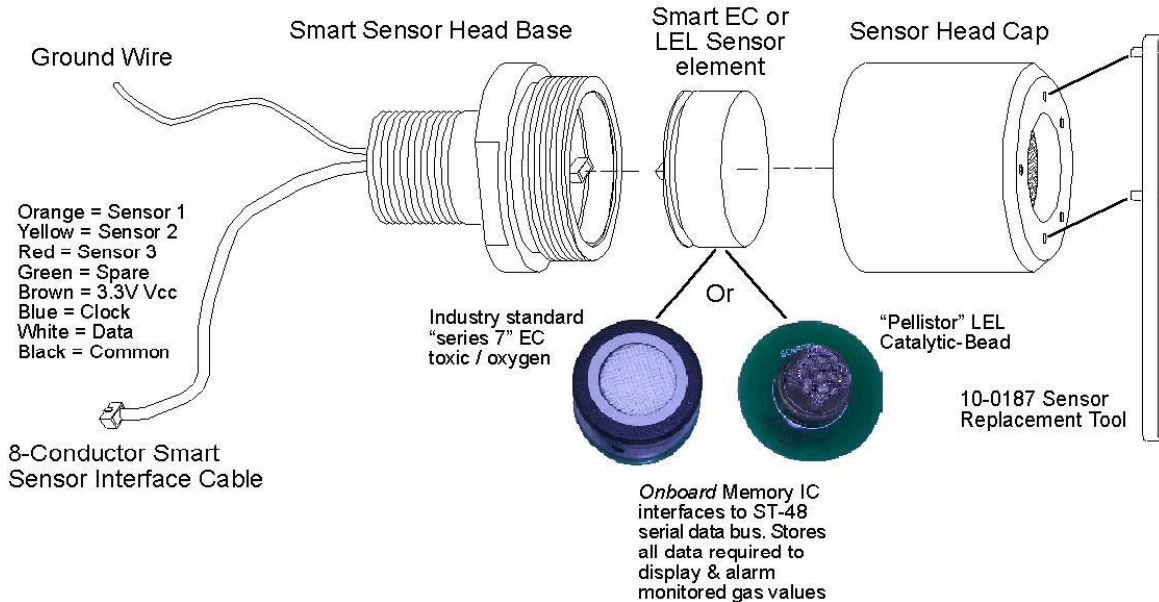


Figure 2-9: 10-0247 Smart Sensor Head Assembly

Smart Sensors are automatically recognized by the ST-48. The Smart Sensor identification screen in Figure 2-10 is shown after power-up, upon installation of a new smart sensor or by viewing INPUT type in the SENSOR SETTINGS / INFO menu (section 5-5).

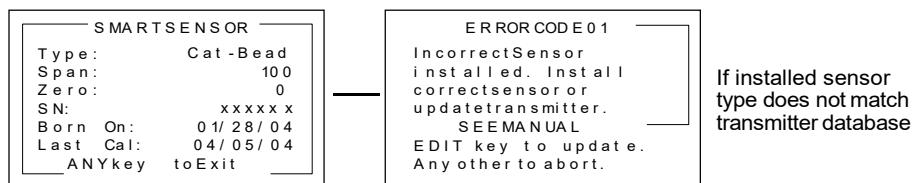


Figure 2-10: Smart Sensor Info / ERROR Screens

2.12 "Sensor Type" and ST-48 Signal Conditioning

Catalytic bead and electrochemical sensors obviously have different signal conditioning requirements. In addition, same sensor types have different response coefficients, signal strength and gain and offset requirements. The block / wiring diagram in Figure 2-11 illustrates how ST-48's are able to accept many sensor types without the need of manual potentiometers or jumpers. Smart Sensors carry this setup information with each sensor.

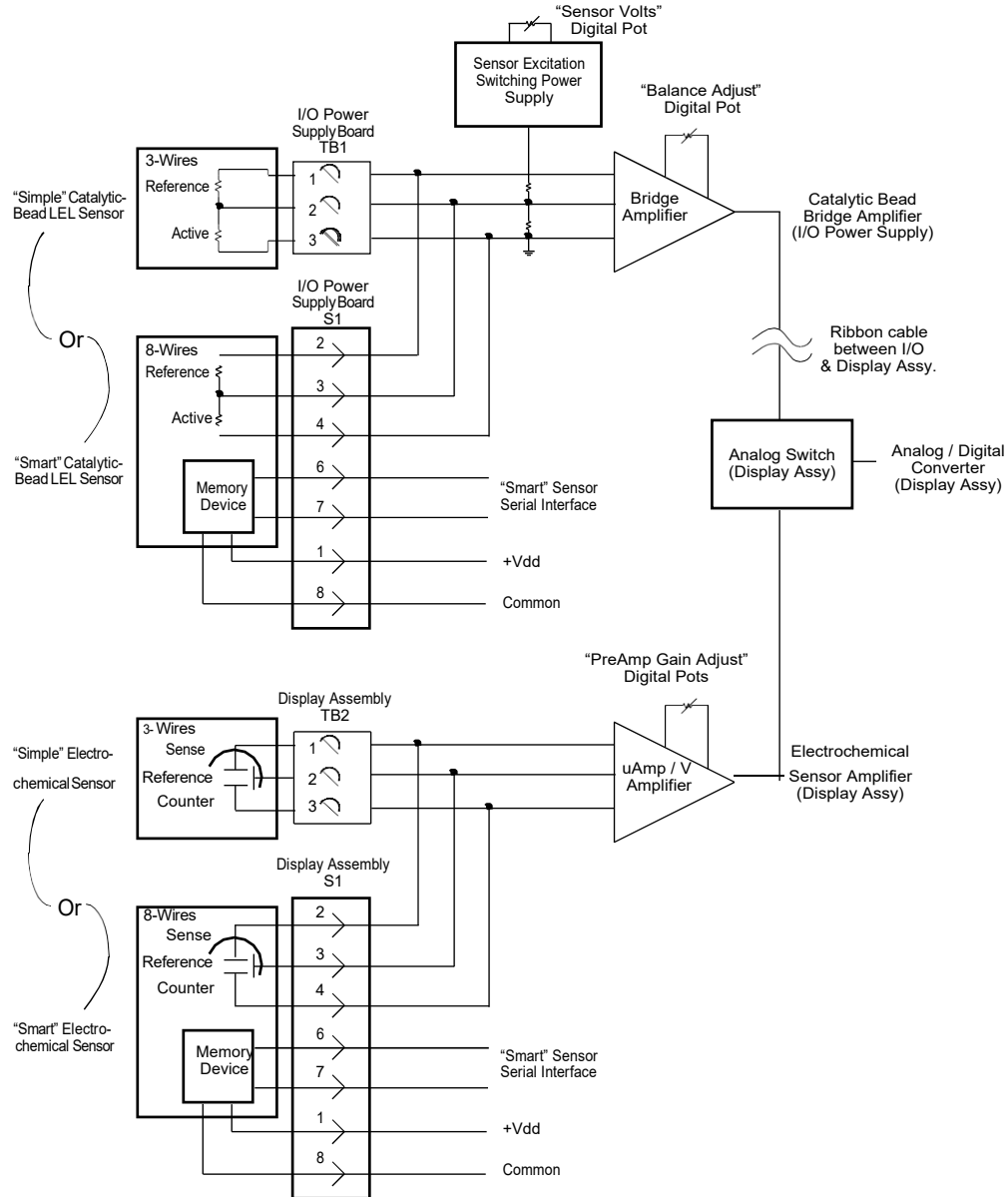


Figure 2-11: ST-48 Block / Wiring Diagram

SECTION 3 – INITIAL START-UP

3.1 “Transmitter Configuration” Menu

Figure 3-1 shows the ST-48 XMITTER CONFIG menu used to activate channels, precisely calibrate 4-20mA outputs and set time / date. Its menus are set at the factory and typically not needed by the user. To access from any data display, press and hold the NEXT key for 5-seconds until the screen appears requesting a special key sequence (4-UP keystrokes).

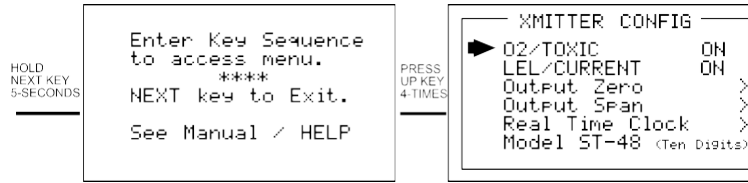


Figure 3-1: Transmitter Configuration Menu

3.1.1 Single / Dual Gas Monitor Configuration

ST-48EC's are 2-wire 4-20mA devices and support only one electrochemical sensor. Addition of the 10-0233 Power Supply board (ST-48LEL) automatically adds the catalytic bead sensor input and dual 4-20mA outputs. If both the O2/TOXIC and LEL/Current menu items are ON, the ST-48 will function as a dual gas monitor with both sensor inputs and 4-20mA outputs active. Either input may be turned off for single gas EC or LEL monitors.

3.1.2 Output Zero / Output Span Trims (Factory Preset, Technicians only!):

The **Output Zero Trim / Output Span Trim** entries are digital to analog (D2A) values that determine the ST-48's final 4-20mA output. Their purpose is to provide precise ST-48 4mA and 20mA outputs. To trim these values, attach a precision milliamp meter to the ST-48 4-20mA output being used. Enter the correct OUTPUT ZERO TRIM menu shown in Figure 3-2. Use the UP/DOWN keys to trim the milliamp value to 4.00mA. Next, enter the correct OUTPUT SPAN TRIM menu and use the UP/DOWN keys to trim the milliamp value to 20.00mA. Press the NEXT key to exit this menu. The ST-48 stores these new D2A values and uses them as the 0 & 100% of full-scale endpoints.

WARNING: Target gas monitoring and alarm processing are halted during these adjustments.



Figure 3-2: Output ZERO / SPAN Trim Menus

3.1.3 Model Name

When power is applied to the ST-48 it will briefly show a 10 digit ASCII model name or company name as it starts up. The name can be edited in the Transmitter Configuration menu by editing the **Model** field.

3.2 Initial Catalytic Bead LEL Monitor Start-Up

ST-48 LEL Monitors that are factory equipped with a local Simple or Smart Catalytic Bead LEL sensor rarely require adjustments, other than routine calibrations, to provide accurate LEL readings. However, after installation the following checks should be performed to insure proper operation. In addition, alarm levels, Measurement Name ASCII fields and other variables may require configuration by users in order to best serve their application.

3.2.1 Initial Catalytic Bead LEL Monitor "Sensor Volts" Check

CAUTION: Sensor Volts in excess of the rated values may destroy catalytic bead sensors. ST-48 sensors are rated for 2 volts.

Section 6.2 describes reading and setting "sensor volts" using the ST-48 LCD. The voltage displayed on the LCD is monitored across TB1-REF and TB1-ACT on the ST-48 Power Supply

board (Figure 2.4) and may be confirmed with a voltmeter. This TB-1 value is correct for locally mounted sensors only. Sensors mounted more than a few feet away from the ST-48 may receive a lower voltage due to the inherent voltage drop across sensor wiring. Remote mounted sensors must have their sensor voltage (across ACTIVE and REFERENCE beads) measured AT THE SENSOR end of the cable. The ST-48 setting will require a higher value in order to achieve the correct voltage at the sensor. Correct sensor voltage should be confirmed after start-up for locally and remotely mounted catalytic bead sensors.

3.2.2 Initial Catalytic Bead LEL Monitor “Balance” Check

Catalytic bead sensors connect to a bridge circuit that may require a balance adjustment after installation especially when the sensor is remote mounted from the ST-48. Section 6.2 describes using the LCD to read and adjust BALANCE settings. Correct BALANCE setting should be confirmed after start-up for locally and remotely mounted catalytic bead sensors.

3.2.3 Initial Catalytic Bead LEL Monitor “Span” Check

Prior to the initial *Routine Sensor Calibration* described in section 4.1, a coarse SPAN gas reading verification should be performed after installation. After correct Sensor Volts and BALANCE have been verified, apply an upscale gas value such as 50% LEL to the sensor. The indicated value should read between 35 and 65% LEL with 50% LEL gas applied. Larger errors may indicate incorrect sensor wiring or defective sensor. Remember that this is only a coarse check and precision calibrations are performed in *Routine Sensor Calibrations* described in the following section 4.1. Section 6.4 describes PREAMP GAIN adjustments that may be required if full-scale ranges are changed.

3.3 Initial Toxic Monitor Start-Up

ST-48 Toxic Monitors, factory equipped with a local Simple or Smart electrochemical sensor, rarely require adjustments (other than routine calibrations) to provide accurate readings. However, after installation the following checks should be performed to insure proper operation. In addition, alarm levels, Measurement Name ASCII fields and other variables may require attention by users in order to best serve their application.

3.3.1 Initial Toxic Monitor “Span” Check

Prior to the initial *Routine Sensor Calibration* described in section 4.1, a coarse SPAN gas reading verification should be performed after installation. Apply an upscale gas value of at least 25% of full scale to the sensor. For example, if 0-100ppm CO is the measurement range, apply at least 25ppm but not more than 100ppm. The indicated value should read within 15% of full scale. Remember that this is only a coarse check and precision calibrations are performed in *Routine Sensor Calibrations* described in the following section 4.1. Section 6.4 describes PREAMP GAIN adjustments that may be required if full-scale ranges are changed.

SECTION 4 – OPERATING INSTRUCTIONS

4.1 Routine Sensor Calibrations

Calibration is the most important function for insuring correct operation of the ST-48. The CAL MODE (flow chart shown in Figure 4-2) is designed to make calibration quick, easy and error free. A successful ZERO and SPAN calibration requires only four keystrokes. The 4-20mA output indicates CAL MODE by transmitting 3mA for 2-wire installations and 1.5mA for 3-wire installations. It then transmits 4mA during the subsequent CAL PURGE delay to prevent external alarms during calibration. Local ST-48 alarm relays (if equipped) are inhibited during CAL MODE. CAL MODE automatically exits if no keystrokes are detected after 5 minutes.

Please see the Appendix to order Calibration Equipment directly from PureAire Monitoring Systems.

Follow these ST-48 calibration guidelines:

- Calibration accuracy is only as good as the calibration gas accuracy. PureAire recommends calibration gases with NIST (National Institute of Standards and Technology) traceable accuracy to increase the validity of the calibration.
- Do not use a gas cylinder beyond its expiration date.
- Calibrate a new sensor before use.
- Allow the sensor to stabilize before starting calibration (approximately 5 minutes).
- Calibrate on a regular schedule. (PureAire once every 6-12 months, depending on use and sensor exposure to poisons and contaminants.)
- Calibrate only in a clean atmosphere, which is free of background gas.

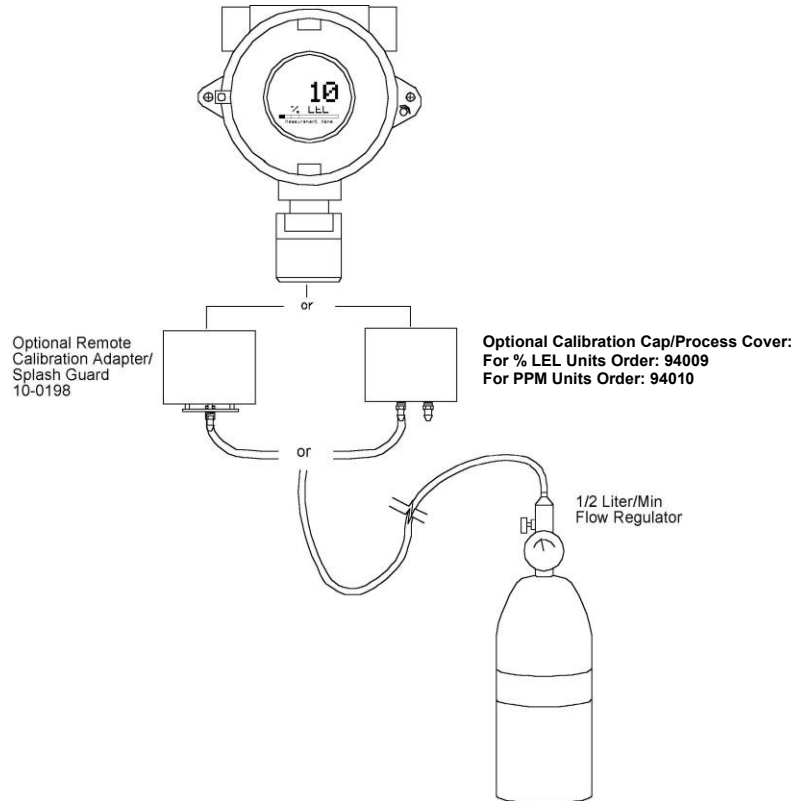


Figure 4-1: Calibration Gas Input

Use the following step-by-step procedure to perform ZERO and SPAN calibrations.

1. To enter the CAL MODE from either data display, press the DOWN / CAL key and within 5 seconds press the EDIT key.
2. Using the Cal-Cup, apply a clean ZERO gas or be sure there is no background target gas in the monitored area. After the reading is stable, (approximately 1 minute) press the EDIT key to perform a ZERO calibration.
3. If the ZERO calibration is successful, press the NEXT key to proceed to the SPAN check.
4. Apply the **correct** SPAN gas at .5 liters/min. After the reading is stable, (approximately 1 minute) press the EDIT key to perform a SPAN calibration.

WARNING: The SPAN gas used must match the value specified since this is what the ST-48 will indicate after a successful SPAN calibration. The **Cal Span Value** may be edited if it becomes necessary to apply a different gas concentration.

Please contact PureAire at service@pureaire.net with the model number for the correct calibration gas and span range.

5. If the SPAN calibration is successful, the display flashes "REMOVE CAL GAS" and starts the CAL PURGE delay.
6. CAL MODE will be complete after the end of the CAL PURGE delay.

The flow chart in Figure 4-2 illustrates the above procedure. UP, CAL, NEXT & EDIT labels indicate keystrokes using the magnetic wand. The CAL MODE information screen (top of the chart) is available for advanced users to see Offset / Gain calibration constants and live analog to digital converter (A/D) counts. Span Gas calibration values may also be edited from this screen. Holding the UP key, for 5 seconds during CAL MODE, displays this screen.

Calibration history records are logged and may be viewed in the *Sensor Information* menu (see section 5-5).

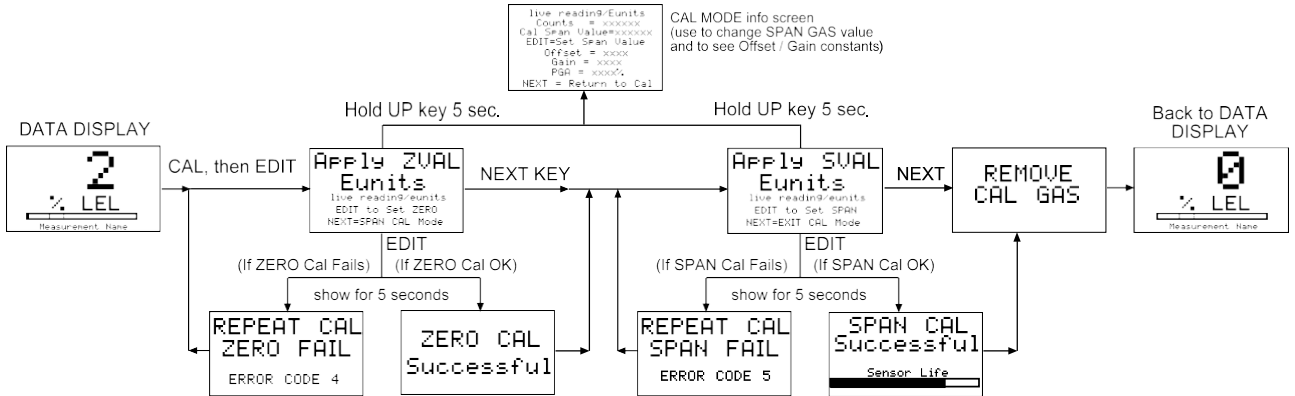


Figure 4-2: Cal-Mode Flow Chart and Menus

4.2 ALARM OPERATION

ST-48's have front panel LED indicators for Alarm 1, Alarm 2 and Alarm 3. An optional 10-0234 Relay/Modbus board adds K1, K2 & K3 relays for these alarms.

CAUTION: ST-48 Alarm LED indicators function even without the presence of the 10-0234 Relay option. With 2-Wire 4-20mA operation, to conserve power, alarm LED's only flash during alarm events. With 3-Wire 4-20mA operation, alarm LED's flash when new, and become steady after an operator ACKNOWLEDGE - pressing the UP/RESET key.

4.2.1 ALARM 3 – UNDERSTANDING FAULT / LEVEL OPERATION

The "A3" alarm is typically dedicated to FAULT conditions indicating sensor failures or "out of measurement range" conditions. However, some applications require a third level alarm. The A3 menu is identical to A1 & A2 and may be set to trip at an upscale level value. A3 WILL ALSO TRIP WITH MISSING OR FAILED SENSORS REGARDLESS OF THE LEVEL VALUE!

CAUTION: Missing or failed sensors always trip Alarm 3 and relay K3 (if equipped). This is true even with A3 configured as a level alarm and it must be accepted that A3 level alarm events might be caused by the monitored level, or, by a missing or failed sensor.

SECTION 5 – SETUP MENU CONFIGURATION

5.1 Menus Database Configuration

All ST-48 configuration variables are stored in its menu database. Many menu items will contain default values from the factory and require changes to better match a user's particular application. ST-48 menus may be configured from the magnetic keypad in 5-10 minutes per transmitter. For installations consisting of numerous points, an interface device is offered to allow *Smart* sensors, ST-48's or ST-48 *Educators* to be configured from a PC's USB port. This is useful when ST-48's are not yet installed or if a portable computer may be carried to each unit.

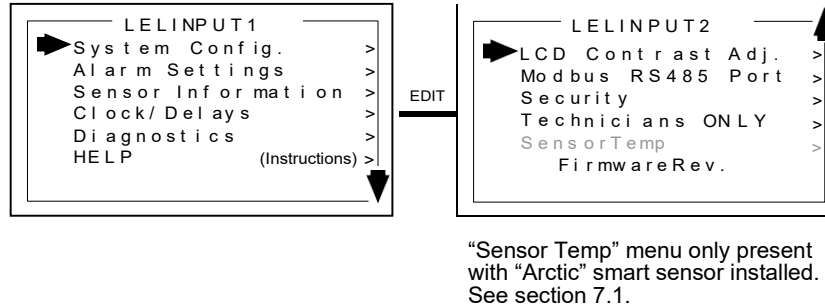


Figure 5-2: Setup Menu Entry

5.3 System Configuration Menus:

The **System Config.** group consists of two pages of menus as shown in Figure 5-3. Each item's description follows in this section.

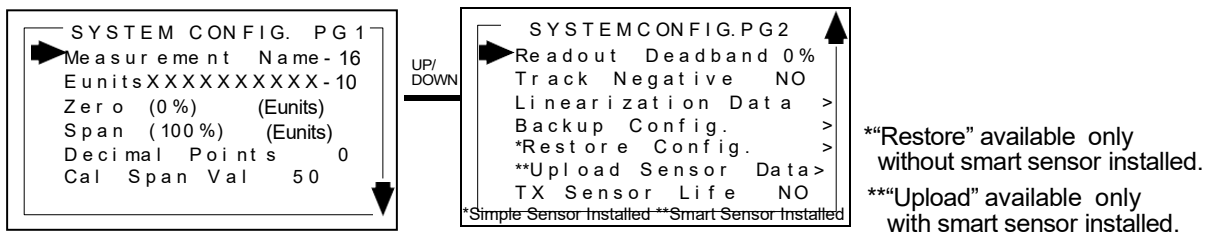


Figure 5-3: System Config. Menu

Measurement Name may be edited to contain virtually any 16-character ASCII field. It is typically used to describe the monitored point by user tag # or other familiar terminology.

Eunits (engineering units) may have up to a 10 character ASCII field. Many common gases have pre-configured Eunits based upon the sensor type and each may be edited in this menu as described in *Configuration Using the Magnetic Wand* section 5-2.

Zero (0%) defines the reading to be displayed when 4mA (0%) is the ST-48 output.

Span (100%) defines the reading to be displayed when 20mA (100%) is the ST-48 output. The highest reading allowed is 9999 includes negative polarity sign and one decimal point. Polarity is only indicated for negative readings.

Decimal Points sets the resolution of the LCD readings and may be for 0, 1 or 2. Example: ZERO readings for 0, 1 & 2 DP's respectively are 0, 0.0 & 0.00.

Cal Span Value sets what upscale value must be applied when performing Span calibrations.

Readout Deadband allows forcing low values to continue to read zero. This is useful when there are small amounts of background gases that cause fluctuating readouts above zero. The highest amount of deadband allowed is 5%. The 4-20mA output is not affected by this menu item.

Track Negative, set to NO, causes negative values to read the **Zero (0%)** value in data displays. The CAL MODE readout displays negative values regardless of this setting and negative values below the Fault set point will still cause the Fault alarm to trip. The 4-20mA output always locks at 4mA when the reading is negative.

Linearization Data allows nonlinear signals to be linearized by entering the correct curve into the ST-48 (Figure 5-4). If Linearize is set for NO, the CURVE POINTS menu data is not used

and no linearization is applied. When YES, the CURVE POINT entries are used and a straight-line approximation is calculated between each of the 9 entries. 0% input always provides 0% output and 100% input always provides 100% output. To prevent accidental data entry a special keystroke sequence, of 4 consecutive UP keys, is required to enter this menu.

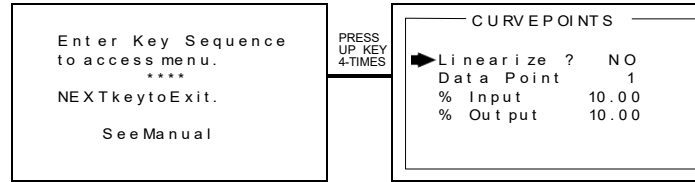


Figure 5-4: Linearization Menu

Backup Config. allows users to store the entire current ST-48 menu database into non-volatile memory for restoration later if incorrect values are accidentally entered or uploaded.

Restore Config. restores the ST-48 menu database to the values from the most recent Backup Config. This menu item is only available if a smart sensor is not installed. The special keystroke sequence of 4 consecutive UP keys is also required to perform backup and restore operations.

Upload Sensor Data allows manually uploading the entire smart sensor database to the ST-48 from the smart sensor.

TX Sensor Life set for YES, causes the ST-48 4-20mA output to transmit a sensor life value after successful calibrations during the CAL PURGE delay (see section 4.1). Normal operation is the ST-48 transmits 4mA during the CAL PURGE delay. But with **TX Sensor Life = YES** it transmits 4mA for the first 10-seconds, then for 5-seconds transmits a value between 4mA and 5mA, with 4mA equal to 0% sensor life and 5mA equal to 100% sensor life (see Figure 5-5). The output then returns to 4mA for the remainder of the CAL PURGE delay. For example, if after a calibration sensor life is 75%, the ST-48 transmits 4.75mA during the 5-second interval. Note: **TX Sensor Life** should always be set for NO unless the 4-20mA receiver is capable of interpreting the sensor life signal. The PureAire ST-71 Controller is capable of this function.

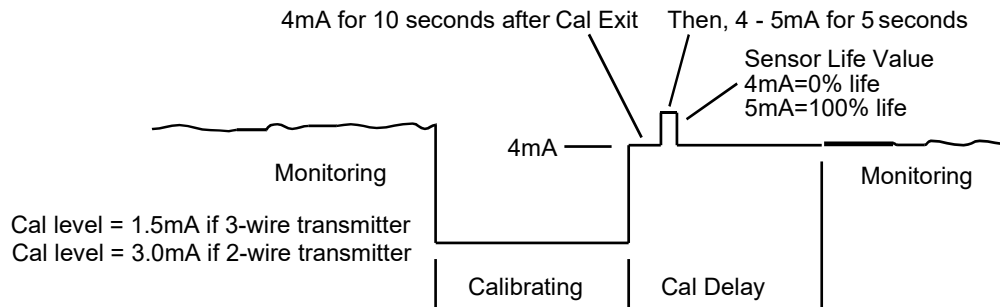


Figure 5-5: Transmit Sensor Life Timing Diagram

5.4 Alarm Settings:

The **Alarm Settings** page has the **Alarm 1, 2, 3 Setups, Relays** and **Event Log** submenus shown in Figure 5-6. Alarm 1, Alarm 2 and Alarm 3/Fail menus are identical and therefore described only once in this section.

IMPORTANT: Alarm functions and their associated LED's are active without the 10-0234 Relay / Modbus option installed.

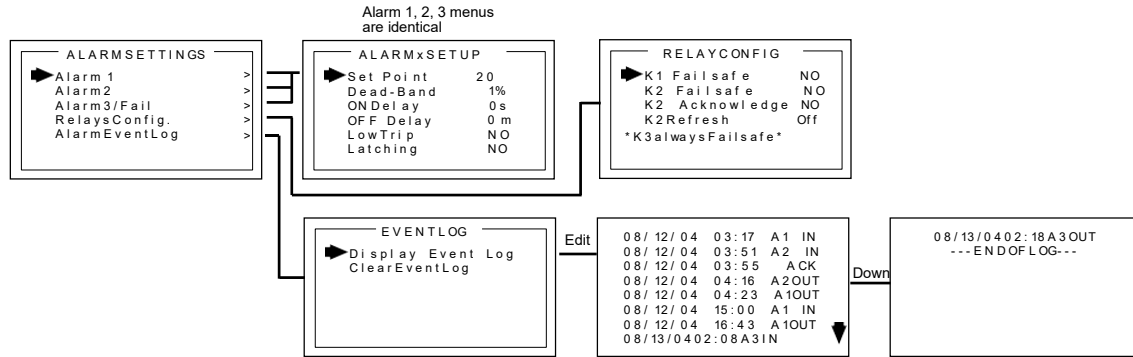


Figure 5-6: Alarm Settings Menus

Set Point enters the engineering unit value where the alarm trips. It may be negative and trip when monitored values fall out of range in this direction. A3 has a default negative 5% of range Set Point with Low Trip set for YES. This makes it function as a FAULT alarm and trip when the monitored value is more than 5% “out of range”.

Dead-Band has a minimum value of 1% and a maximum value of 10%. It is useful for preventing alarm cycling when the monitored value is hovering around the set point. EXAMPLE: With a range of 0-100 ppm, if Dead-Band equals 5% and the set point is 20 ppm, after tripping at 20 ppm the value must drop below 15 ppm to reset.

ON Delay allows entering a maximum 10 second delay before this alarm becomes active. This is useful for preventing nuisance alarms caused by brief spikes beyond the set point.

OFF Delay allows entering a maximum 120 minute delay before clearing an alarm after the alarm condition is gone. This is useful for continuing an alarm function, such as operation of an exhaust fan, for a period of time after the alarm condition clears.

Low Trip set to YES causes the alarm to trip as the value falls below the set point.

Latching set to YES causes the alarm to remain active even after the condition is gone and only reset when the UP / RESET key is pressed from a data display.

5.4.1 Relay Configuration (if equipped):

Relay Config has the submenu shown in Figure 5-7. The optional relay PCB must be installed to access this menu or a “HARDWARE NOT PRESENT” message appears.

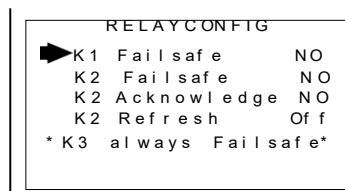


Figure 5-7: Relay Config. Menu

K1 / K2 Failsafe set for YES means the relay de-energizes during alarm and energizes with no alarm. This is useful for also signaling alarm when ST-48 power is lost. K3 is a FAULT alarm and is always failsafe.

K2 Acknowledge set for YES means the UP / RESET key (RESET key during either data display) will set K2 to the normal state EVEN when an Alarm 2 condition exists. This is useful for silencing an audible device, driven from K2, during the alarm condition.

K2 Refresh set for ON causes an acknowledged Alarm 2 condition to reactivate K2 if it continues beyond the designated Refresh interval. This feature insures against “forgotten” alarms after an Acknowledge.

5.5 Sensor Information:

Sensor Information has the **SENSOR SETUP/INFO** menus shown in Figure 5-8

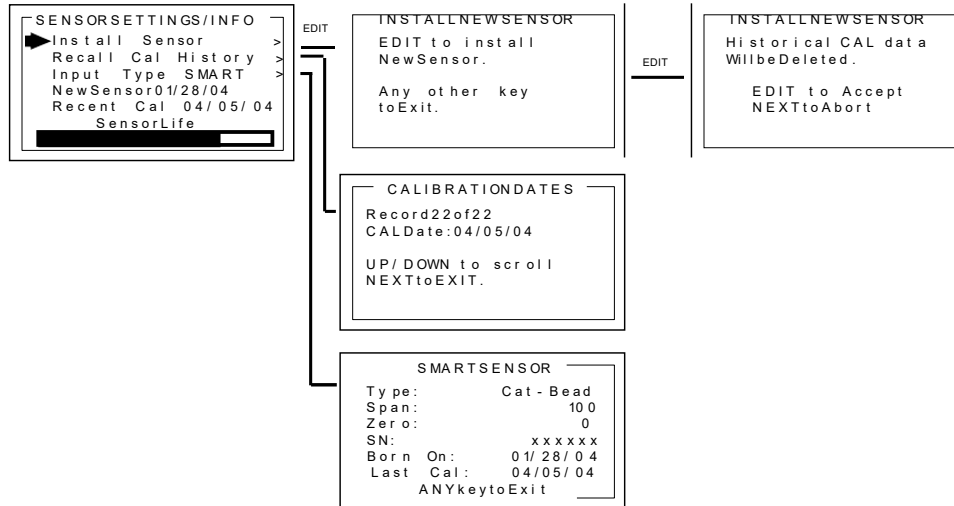


Figure 5-8: Sensor Information Menus

Install New Sensor should always be performed when a new *simple* sensor is installed. This deletes historical CAL data and sets sensor life to 100% after initial calibration of the new *simple* sensor. The ST-48 *Smart* sensor interface will automatically detect new smart sensors and this menu is therefore not available with a smart sensor connected.

Recall Cal History recalls each successful calibration. These dates may be reviewed by scrolling with the UP / DOWN keys.

Input Type indicates what kind of input or sensor the ST-48 is configured to accept and is typically pre-configured at the factory. There are five Input Type possibilities consisting of Cat-Bead, EC negative, EC positive, 4-20mA and Smart. Smart sensors upload sensor type and other data to the ST-48 and may be viewed on the SMART SENSOR information screen.

New Sensor displays the date when a new sensor was last installed.

Recent Cal displays the most recent calibration date.

5.6 CLOCK/DELAY SETUP:

Since the ST-48 is equipped with a Real Time Clock & Calendar **Time** and **Date** must be set to correctly match its location. They are set at the factory in a 24 hour format but may require adjustment to match the location’s time & date after shipment. Follow the procedure in *Configuration Using the Magnetic Wand* in section 3.3.

Warm Up and **Cal Purge** time delays are also available to prevent unwanted alarm trips. Figure 5-9 shows the menu for these items.

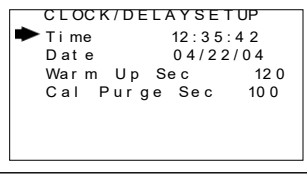


Figure 5-9: Clock & Calendar / Delay Timer Menu

5.7 LCD Contrast Adj:

LCD Contrast Adj. may be set for optimum viewing using the menu shown in Figure 5-10.

5.8 HELP Screen:

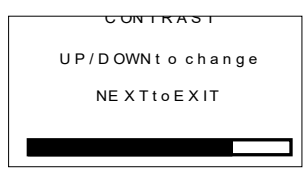


Figure 5-10: LCD Contrast Adjust Menu

The **HELP** screen contains several pages of information describing how to operate the ST-48. This is the bottom menu on page 1 of the **SETUP** screen.

5.9 Diagnostics:

IMPORTANT: Gas monitoring and alarm processing are not performed while using the Diagnostics menus. **Access requires a special key sequence of four consecutive UP keystrokes.**

There are two **Diagnostics** menus useful for driving outputs without exposing the sensor to the target gas. The **OUTPUT SIMULATION** menu allows setting the 4-20mA output to virtually any desired value. This is useful for checking responses of devices receiving the ST-48's 4-20mA output. The **ACTIVATE RELAYS** menu allows tripping of alarm relays (if equipped) without tripping alarm set-points with the target gas. This is useful for testing alarms events such as lights and audible devices.

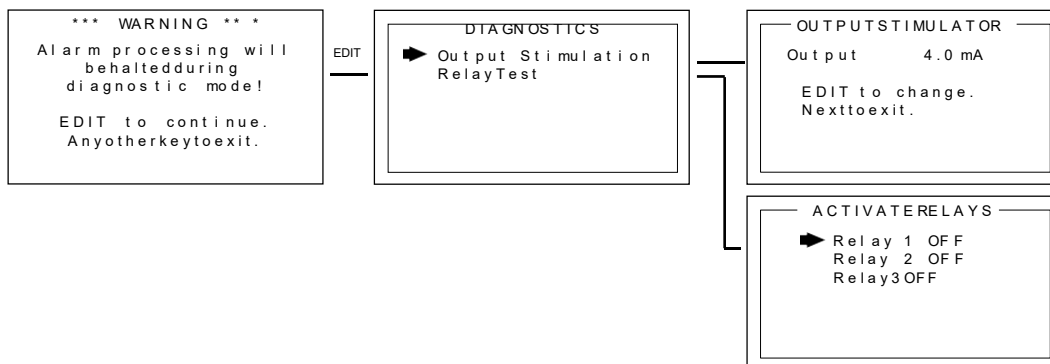


Figure 5-11: Diagnostics Menus

5.10 RS-485 / MODBUS SETUP:

The **RS-485 MODBUS SETUP** menu allows setting the RTU address (if RS-485 equipped) for each ST-48 on the RS-485 network. Each ST-48 must have a different RTU address when communicating on the same 2-wire cable. Baud rate, Parity and Stop Bit are fixed at industry standard values of 9600,none,1.

Note: If “Marker TX LED” (see section 6.8) is selected **RS-485 MODBUS SETUP** menu is not available, because the serial port is no longer active.

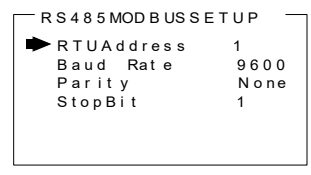


Figure 5-12: Modbus RS-485 Setup Menu

5.10.1 MODBUS REGISTER AND FUNCTION CODE SUMMARY

The following table identifies ST-48 Modbus register locations and function codes. “Chan 1” designations represent the EC channel while “Chan 2” represent the LEL / 4-20mA Input channel.

| VARIABLE | ALIAS | READ FUNCTION CODE | WRITE FUNCTION CODE |
|----------|-------|--------------------|---------------------|
|----------|-------|--------------------|---------------------|

Read Only Discretes:

| | | | |
|-----------------|------|---|----|
| Chan 1 Alarm 1 | 2001 | 2 | NA |
| Chan 1 Alarm 2 | 2002 | 2 | NA |
| Chan 1 Fault | 2003 | 2 | NA |
| Chan 2 Alarm 1 | 2004 | 2 | NA |
| Chan 2 Alarm 2 | 2005 | 2 | NA |
| Chan 2 Fault | 2006 | 2 | NA |
| K1 | 2007 | 2 | NA |
| K2 | 2008 | 2 | NA |
| K3 | 2009 | 2 | NA |
| Chan 1 Cal Mode | 2010 | 2 | NA |
| Chan 2 Cal Mode | 2011 | 2 | NA |

Read/Write Coils:

| | | | |
|-----------------|-------|---|---|
| Alarm Ack/Reset | 12001 | 1 | 5 |
|-----------------|-------|---|---|

Note: After writing a TRUE to this register, it resets back to FALSE automatically.

Read Only Registers:

| | | | |
|----------------|-------|---|----|
| D2A Raw Chan 1 | 31001 | 4 | NA |
| D2A Raw Chan 2 | 31002 | 4 | NA |

Calibrated 10 bit value representing the D2A value of 0 to 1023 for -25 to 105 %FS (200=0% & 1000=100%).

IMPORTANT: READ REGISTERS 31001 / 31002 TO CREATE READINGS THAT MATCH ST-48 DISPLAY VALUES! THESE SHOULD ALSO BE READ BY ST-71 MODBUS MASTERS.

| | | | |
|----------------|-------|---|----|
| A2D Raw Chan 1 | 31003 | 4 | NA |
| A2D Raw Chan 2 | 31004 | 4 | NA |

10 bit value representing the A2D value of 0 to 1023 before calibration constants are applied.

| | | | |
|---------------|-------|---|----|
| Chan 1 Status | 31005 | 4 | NA |
| Chan 2 Status | 31006 | 4 | NA |

(16 bit status words; bit assignment for each channel)
ALARM1_BELOW BIT0

| | |
|------------------------------|-------|
| ALARM2_BELOW | BIT1 |
| ALARM3_BELOW | BIT2 |
| ALARM1_LATCH | BIT3 |
| ALARM2_LATCH | BIT4 |
| ALARM3_LATCH | BIT5 |
| ALARM3_ACTIVE | BIT6 |
| CHANNEL_DISABLED | BIT7 |
| CHANNEL_CAL | BIT8 |
| CHANNEL_LINEARIZE | BIT9 |
| FAULT_RELAY_LATCH | BIT10 |
| DISPLAY_NEGATIVE | BIT11 |
| TRANSMIT SENSOR LIFE ENABLED | BIT12 |

Alarm Status Word 31007 4 NA
(16 bit status word; bit assignment for system status)

| | |
|-----------|-------|
| CH1_ALM1 | BIT0 |
| CH1_ALM2 | BIT1 |
| CH1_FAULT | BIT2 |
| CH2_ALAM1 | BIT4 |
| CH2_ALM2 | BIT5 |
| CH2_FAULT | BIT6 |
| K1_STATUS | BIT8 |
| K2_STATUS | BIT9 |
| K3_STATUS | BIT10 |

Transmitter Status Word 31008 4 NA
(16 bit status word; bit assignment for system status)

| | |
|---------------|-------|
| CHAN_1_ACTIVE | BIT0 |
| CHAN_2_ACTIVE | BIT1 |
| SECURE_LEVEL | BIT2 |
| MARKER Tx LED | BIT3 |
| K1_FAILSAFE | BIT12 |
| K2_FAILSAFE | BIT13 |
| K2_ACK | BIT14 |
| LOCK | BIT15 |

Chan 1 Sensor Life 31009 4 NA
Chan 2 Sensor Life 31010 4 NA
(16 bit signed integer ranging from -1 to 100 where -1 indicates Cal Required)

Chan 1 Sensor Temperature 31011 4 NA
Chan 2 Sensor Temperature 31012 4 NA
(16 bit integer ranging from 1 to 4095 scaled for -55 to +125 degrees C)

Memory Floating Point:

Note: Returned as 15bit plus sign 2s complement with +/- 5% over/underrange applied. Consider over/underrange when scaling values to be displayed at the workstation. The following equation may be used to determine a value for display.

$$Display\ Value = \frac{MODBUS\ Value \cdot [(Span\ Value - Zero\ Value) \cdot 1.1]}{32767} + \{Zero\ Value - [(Span\ Value - Zero\ Value) \cdot .05]\}$$

FP Value Chan 1 33001 4 NA
FP Value Chan 2 33002 4 NA

Memory ASCII Strings:

User Info Chan 1 40401-40408 3 NA
User Info Chan 2 40409-40416 3 NA

16 ASCII characters (2 per register) assigned to the unit identifier read as bytes.

ST-48 Instruction Manual
Revision 3.1

| | | | |
|----------------------|-------------|---|----|
| Chan 1 ASCII Reading | 40417-40419 | 3 | NA |
| Chan 2 ASCII Reading | 40420-40422 | 3 | NA |

6 ASCII characters (2 per register) reflecting the display readout.

| | | | |
|---------------|-------------|---|----|
| EUNITS Chan 1 | 40423-40427 | 3 | NA |
| EUNITS Chan 2 | 40428-40432 | 3 | NA |

10 ASCII characters (2 per register) assigned to the engineering units read as bytes.

Byte Variables:

| | | | |
|-----------------|-------|---|----|
| PreAmp/Gain Ch1 | 40433 | 3 | NA |
| PreAmp/Gain Ch2 | 40434 | 3 | NA |

2 bytes representing Pre Amp (HiByte) and PGA (LoByte) settings.

Firmware Version:

| | | | |
|---------|-------------|---|----|
| Version | 40435-40436 | 3 | NA |
|---------|-------------|---|----|

4 ASCII characters (2 per register) reflecting the firmware version.

Memory Reals:

Note: Real value represents float value without the decimal point such as 123.4 is returned as 1234. Decimal divisor is returned as 1, 10, 100, or 1000 for decimal position of 1, 2, 3, or 4, where 123.4 would return the value 10.

| | | | |
|------------------------------|-------|---|----|
| Chan 1 Cal Zero Real | 41001 | 4 | NA |
| Chan 1 Cal Zero Devisor | 41002 | 4 | NA |
| Chan 1 Cal Span Real | 41003 | 4 | NA |
| Chan 1 Cal Span Devisor | 41004 | 4 | NA |
| Chan 1 Zero Real | 41005 | 4 | NA |
| Chan 1 Zero Devisor | 41006 | 4 | NA |
| Chan 1 Span Real | 41007 | 4 | NA |
| Chan 1 Span Devisor | 41008 | 4 | NA |
| Chan 1 Fault Real | 41009 | 4 | NA |
| Chan 1 Fault Devisor | 41010 | 4 | NA |
| Chan 1 Alarm 1 Real | 41011 | 4 | NA |
| Chan 1 Alarm 1 Devisor | 41012 | 4 | NA |
| Chan 1 Alarm 2 Real | 41013 | 4 | NA |
| Chan 1 Alarm 2 Devisor | 41014 | 4 | NA |
| Chan 1 Alarm 3 Real | 41015 | 4 | NA |
| Chan 1 Alarm 3 Devisor | 41016 | 4 | NA |
| Chan 1 Manual Gain Real | 41017 | 4 | NA |
| Chan 1 Manual Gain Devisor | 41018 | 4 | NA |
| Chan 1 Manual Offset Real | 41019 | 4 | NA |
| Chan 1 Manual Offset Devisor | 41020 | 4 | NA |
| Chan 2 Cal Zero Real | 41021 | 4 | NA |
| Chan 2 Cal Zero Devisor | 41022 | 4 | NA |
| Chan 2 Cal Span Real | 41023 | 4 | NA |
| Chan 2 Cal Span Devisor | 41024 | 4 | NA |
| Chan 2 Zero Real | 41025 | 4 | NA |
| Chan 2 Zero Devisor | 41026 | 4 | NA |
| Chan 2 Span Real | 41027 | 4 | NA |
| Chan 2 Span Devisor | 41028 | 4 | NA |
| Chan 2 Fault Real | 41029 | 4 | NA |
| Chan 2 Fault Devisor | 41030 | 4 | NA |
| Chan 2 Alarm 1 Real | 41031 | 4 | NA |
| Chan 2 Alarm 1 Devisor | 41032 | 4 | NA |
| Chan 2 Alarm 2 Real | 41033 | 4 | NA |

| | | | |
|------------------------------|-------|---|----|
| Chan 2 Alarm 2 Devisor | 41034 | 4 | NA |
| Chan 2 Alarm 3 Real | 41035 | 4 | NA |
| Chan 2 Alarm 3 Devisor | 41036 | 4 | NA |
| Chan 2 Manual Gain Real | 41037 | 4 | NA |
| Chan 2 Manual Gain Devisor | 41038 | 4 | NA |
| Chan 2 Manual Offset Real | 41039 | 4 | NA |
| Chan 2 Manual Offset Devisor | 41040 | 4 | NA |

Binary Cal Data:

| | | | |
|----------------|-------|---|----|
| Chan 1 A2D MIN | 41041 | 4 | NA |
| Chan 1 A2D MAX | 41042 | 4 | NA |
| Chan 1 D2A MIN | 41043 | 4 | NA |
| Chan 1 D2A MAX | 41044 | 4 | NA |
| Chan 2 A2D MIN | 41045 | 4 | NA |
| Chan 2 A2D MAX | 41046 | 4 | NA |
| Chan 2 D2A MIN | 41047 | 4 | NA |
| Chan 2 D2A MAX | 41048 | 4 | NA |

Min and Max calibration points for the A/D and D/A converters.

5.11 SYSTEM SECURITY:

The **SYSTEM SECURITY** menu offers two levels of protection. A **LOW** level allows CAL MODE sensor calibrations but requires the 4-digit **Pass Code** prior to altering menus. **HIGH** level locks the entire menu database and the CAL Mode until the correct **Pass Code** is entered. **LOW** and **HIGH** security levels always allow viewing of configuration menus but they may not be changed. **Contact Name** is a 12 character ASCII field available for displaying a phone # or name of personal who know the **Pass Code**. Lost **Pass Codes** may be recovered by entering the locked security menu and holding the UP key for 5 seconds. The 4-digit code appears near the bottom of the screen.

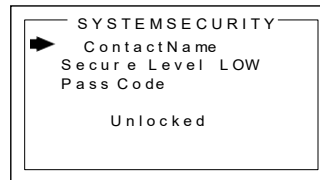


Figure 5-13: System Security Menu

SECTION 6 – TECHNICIANS ONLY MENUS

6.1 Introduction:

WARNING! Users of these menus must have a detailed understanding of their functions. Monitoring of target gases, processing of alarms, 4-20mA output values and Modbus RS-485 communications should not be relied upon while editing these menus! Back-up the current configuration prior to altering any Technical menus in case Restore is required later (see section 5.3).

The **TECHNICIAN ONLY** menu group contains items that are **factory configured** depending upon the type sensor and input connected to the ST-48. They should not be tampered with after installation. If configured incorrectly, some items will prevent monitoring of target gases. **The Set Sensor Voltage** menu for setting the catalytic bead sensor excitation voltage could destroy the sensor. **Access requires a special key sequence of four consecutive UP keystrokes** to prevent accidental modification of critical items.

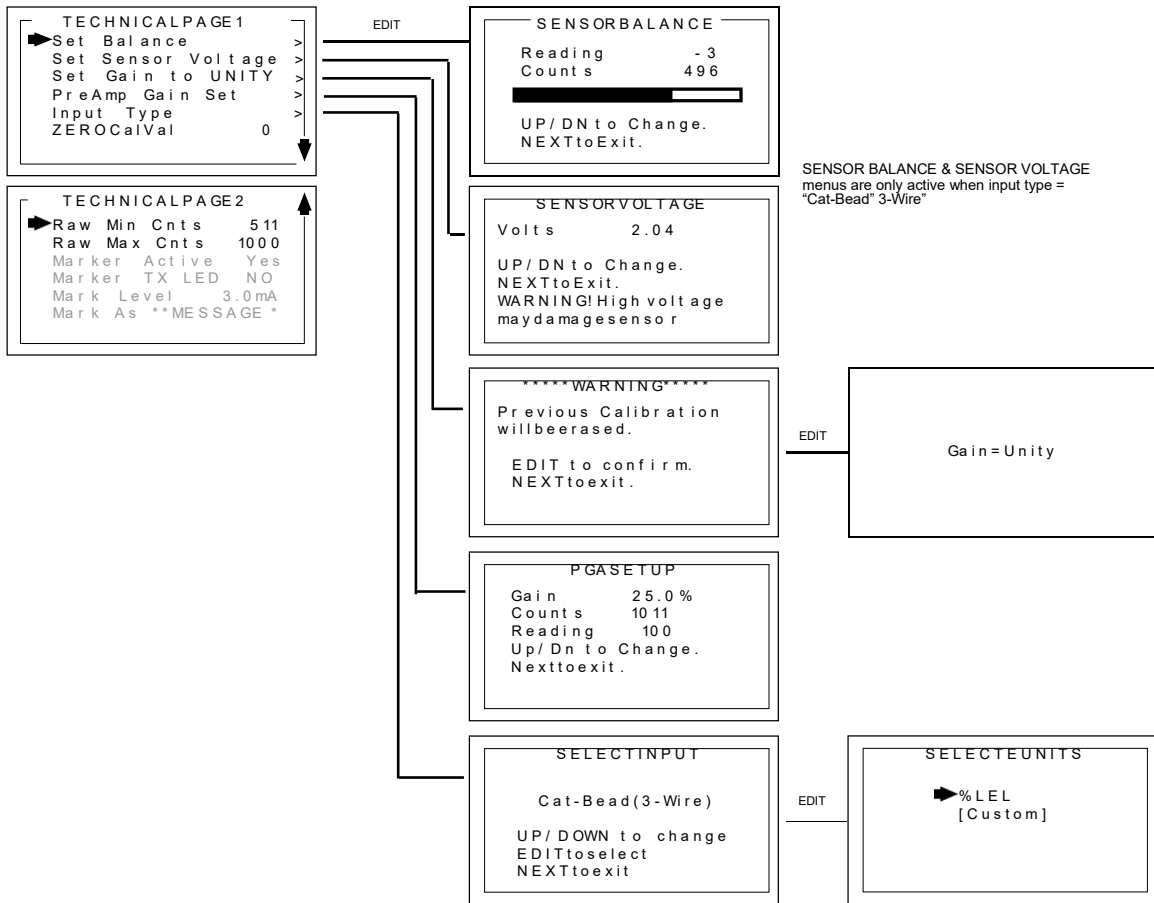


Figure 6-1: Technicians Menu Tree

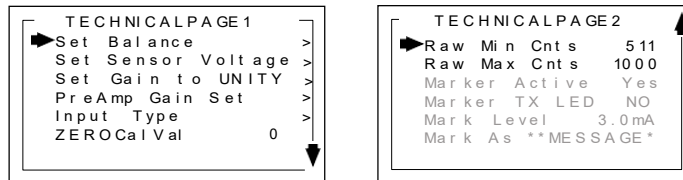


Figure 6-2: Technicians Menu Entry

6.2 Set Balance / Set Sensor Voltage (Technicians only!):

Set Balance and **Set Sensor Voltage** are used when **Input Type** is for *Catalytic Bead LEL* sensors. They are **factory configured** and only require field adjustment if the catalytic bead sensor is mounted remote from the ST-48 or if a new sensor is installed. Other input type entries draw a line through these menus and they are inactive. ST-48 catalytic bead sensors require 2.0 volts excitation voltage **at the sensor**. This means if the sensor is mounted a long distance away the voltage at the ST-48 may have to be higher than two volts to compensate for losses in field wiring. Be careful not to exceed 2.0 volts at the sensor's A and R terminals.

Set Balance allows balancing of the catalytic bead sensor and must only be performed with ZERO gas on the sensor (Figure 6-3). Balance is similar to a very coarse ZERO calibration and does not need to be precise since subsequent calibrations will correct for small errors. ZERO gas applied to the sensor should provide a Reading of -3 to +3 on the SENSOR BALANCE menu.

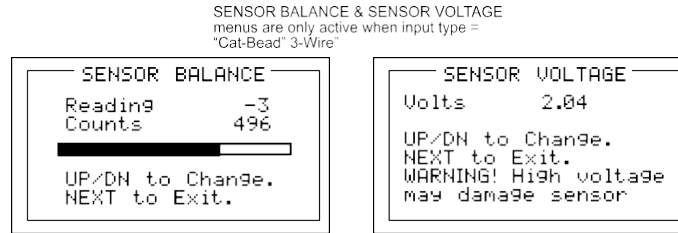


Figure 6-3: Catalytic Bead BALANCE & SENSOR VOLTS Adjust Menus

6.3 Set Gain to Unity (Technicians only!):

Set Gain to UNITY allows resetting previous calibration OFFSET to zero and GAIN to one. This is the definition of UNITY. A calibration should be performed after setting UNITY.

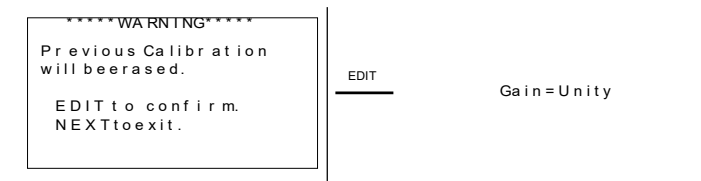


Figure 6-4: Set UNITY GAIN Menu

6.4 PreAmp Gain Adjust (Technicians only!):

Depending upon **Input Type**, ST-48 inputs range from a few micro amps to hundreds of micro amps. **PreAmp Gain Set** is the adjustment that matches the input signal range to the ST-48 input signal conditioning circuits. Altering the PreAmp Gain setting automatically resets previous calibration OFFSET & GAIN values to UNITY as described in section 6.3.

If it is determined the PreAmp Gain value is incorrect, apply the desired up-scale input and use the UP / DOWN keys to obtain the correct **Reading** value. **Counts** are the 10-bit binary A/D value with an active range value of 0 - 1023.

CAUTION: For standard installations, this is a factory adjustment. Do not use the **PreAmp Gain Set** menu for calibrating sensors. It should only be adjusted if a new measurement gas or input range is required.

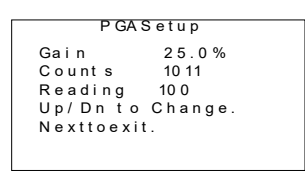


Figure 6-5: PreAmp Gain Adjust (PGA) Menu

6.5 Simple Sensor Input Type (Technicians only!):

Smart sensors automatically configure **Input Type**. **Simple** inputs must be configured manually using the **Input Type** menu. **Input Type** configures ST-48 hardware to accept catalytic-bead sensors, positive coefficient electrochemical sensors, negative coefficient electrochemical sensors or 4-20 mA inputs. Catalytic-bead and 4-20mA inputs require 3-wire operation and the 10-0233 I/O Power Supply. **Note:** Additional factory installed solder-bridge modifications are required for 4-20mA inputs (see section 7.2 and 7.3). Positive / Negative coefficient electrochemical sensors have several gas types available within each group (see table below). Biased EC sensors require factory installed solder bridge SB1 on the Display Assy PCB - see Addendum 3.

After selecting **Input Type**, a **SELECT EUNITS** screen indicates the default engineering units for this sensor. These EUNITS may be accepted by pressing the EDIT key, or changed by moving the pointer to [Custom] and editing as described in *Configuration Using the Magnetic Wand* in section 5-2.

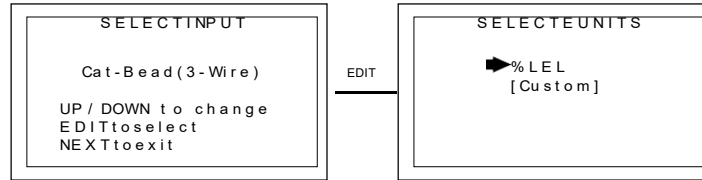


Figure 6-6: Input Type Selection Menu

| Coefficient | Electrochemical Sensor Type | Default EUNITS |
|----------------|-----------------------------|----------------|
| Negative | Hydrogen Sulfide | ppm H2S |
| Negative | Carbon Monoxide | ppm CO |
| Negative, Bias | Nitric Oxide | ppm NO |
| Negative | Ethylene Oxide | ppm Eth O2 |

6.6 Zero Cal Value (Technicians only!):

The **Zero Cal Value** menu entry allows the zero calibration value to be set for something other than a zero reading. For example, a ST-48 4-20mA input may represent a BTU Analyzer range of 500 – 1000 BTU's. In this case, 0% of full scale equals 500 BTU's and may be the desired zero calibration point. Other upscale values may also be used for the zero calibration point by setting this menu item to the desired engineering unit value. Do not exceed 25% of full scale.

6.7 Raw Min / Max Counts (Technicians only!):

The **Raw Min / Max Counts** menus determine the range of 10-bit analog to digital (A/D) converter counts that define 0 & 100% of full scale. Raw Min A/D counts create 0% readings and Raw Max A/D counts create 100% readings. These menus are very useful in application with non-standard input ranges. For example, if instead of a standard 4-20mA input 8-18mA must be accepted by the ST-48. Set RAW MIN COUNTS to match the 8mA input counts value and RAW MAX COUNTS to match the 18mA input counts value. The corresponding **Zero 0%** and **Span 100%** readings are entered in the Configuration Menu describe in section 5.3. Live A/D count values may be viewed from the CAL MODE Information screen described section 4.1.

6.8 4-20mA Input Marker / Message (Technicians only!):

See section 7.3.1 for description of the 4-20mA Input Marker / Message menus. This feature is only available with ST-48EC-I 4-20mA input models.

SECTION 7 – SPECIAL ORDER CONFIGURATIONS

7.1 ARCTIC Option

ST-48EC-CAT and ST-48EC-I 3-wire models may be ordered with a special *ARCTIC* configuration to include a 175 ohm 4-watt heater / temperature controller circuit mounted to the back of the 10-0233 Power Supply PCB (Figure 2-5). In addition, when equipped with a locally mounted 10-0247 Smart Sensor Head (Figure 2-9) ARCTIC Smart sensors are available with a 1-watt heater / temperature controller for warming the sensor compartment. This is important since many electrochemical sensors have a low temperature rating of only -20C. If incoming 10-30VDC power is at least 24VDC, the ARCTIC option extends ST-48 operation down to -55C.

Important! ARCTIC ST-48's consume more power when it is cold! When temperature inside the ST-48 enclosure is below -25C the 175 ohm 10-0233 PCB heater is connected across the incoming DC power terminals. When an ARCTIC Smart Sensor is installed, its 1-watt heater is connected across the ST-48's internal 5VDC power supply when Sensor Temp is below the Setpoint (see section 7.1.1). These additional loads must be considered when sizing the installation's DC power supply.

7.1.1 ARCTIC Smart Sensor Temperature Setpoint Option

Both the O2/TOXIC and LEL/Current channels (see section 3.1.1) are capable of accepting ARCTIC Smart Sensors with 1-watt heater / temperature controller circuits. ARCTIC sensor temperature controllers have a unique address that is automatically detected by the ST-48. This activates the **Sensor Temp** menu on page 2 of the channel's main menu as shown below in Figure 7-1. Selecting **Sensor Temp** and pressing EDIT opens a window displaying the sensor's current temperature and the 1-watt heater's **Setpoint**. When the **Sensor Temp** value is below the **Setpoint** value the heater is on. This feature is helpful in applications where the sensor temperature must be higher than the ambient temperature to function properly.

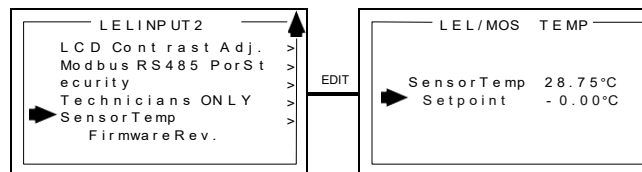


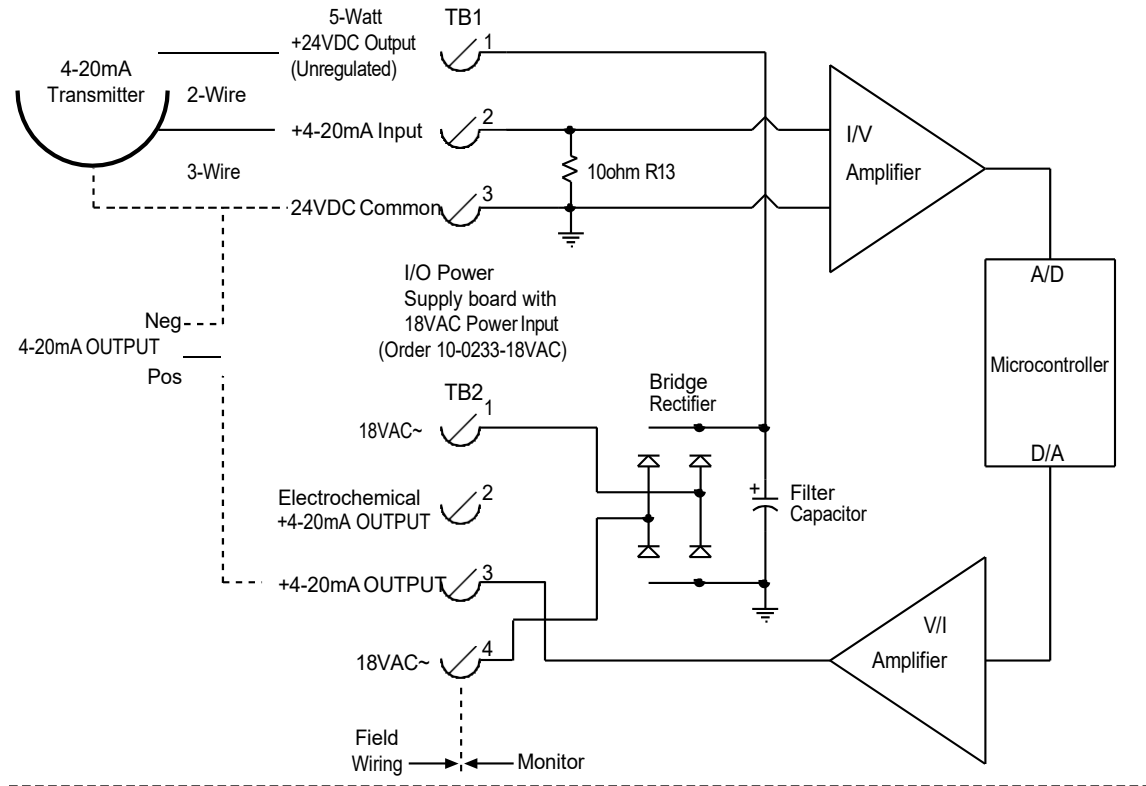
Figure 7-1: ARCTIC Sensor Temperature Menu

7.2 Special Order; 18VAC Primary Power Supply Option

A special revision of the ST-48 I/O Power Supply is available for applications requiring 18VAC as primary power instead of the standard 10-30VDC (Order I/O Power Supply part # 10-0233-18VAC). 18VAC is applied to a bridge rectifier and filter capacitor to generate unregulated 24VDC.

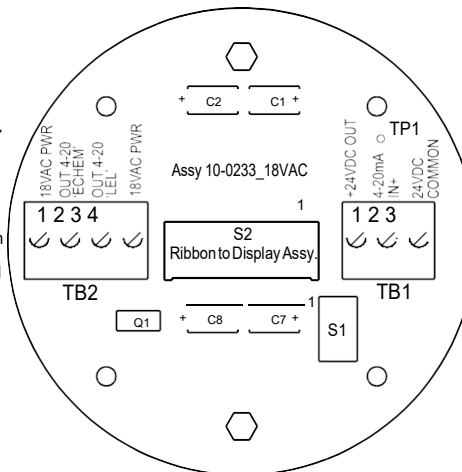
The 10-0233-18VAC revision is also configured to accept 4-20mA inputs from 2 or 3-Wire 4-20mA Transmitters into terminals normally reserved for Catalytic Bead LEL Sensors. References to Catalytic Bead LEL sensors within the main body of this manual DO NOT APPLY TO THIS REVISION. The 10-0232 Display Assembly is the standard revision and Smart or Simple electrochemical Toxic / Oxygen sensors may still be connected as described in this manual.

Figure 7-2 shows physical and electrical wiring diagrams.



*10-0233_18VAC is a special configuration allowing power from an 18VAC~ power source and is available by special order. **DO NOT APPLY 18VAC~ TO STANDARD UNITS!**

*Apply 18VAC between 18VAC Terms. on TB2. 4-20 OUT+SIG Term. on TB2 sources output. Use 24VDC COMMON term. on TB1 for 4-20 OUT-SIG Term.

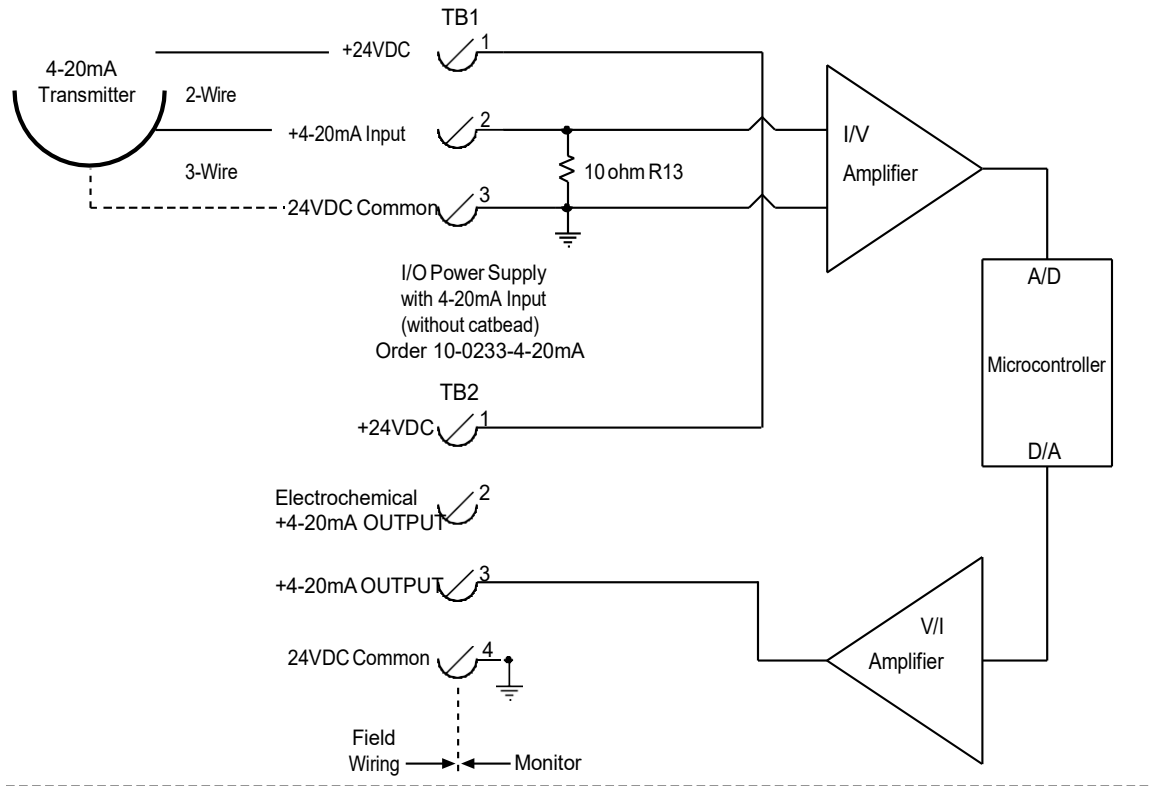


24VDC OUT is unregulated DC power generated from 18VAC~ input power. 4-20mA IN+ accepts milliamp signal inputs. 24VDC COMMON is "RETURN" rail for both 4-20mA Input and Output. (See Block / Wiring diagram)

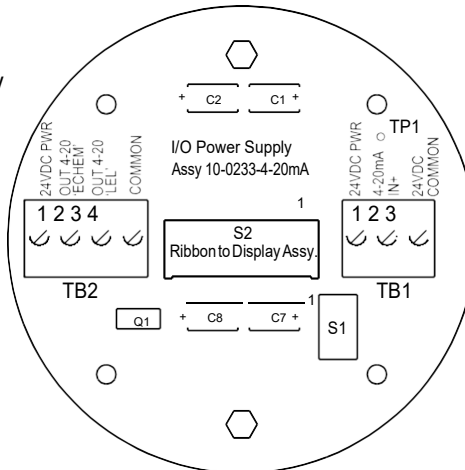
Figure 7-2: 10-00233-18VAC Block / Wiring Diagram

7.3 Special Order; 4-20mA Input to Catbead Channel

A special model ST-48EC-I is available for applications requiring a 4-20mA input (includes I/O Power Supply part # 10-0233-4-20mA). Solder bridges are factory installed to rewire TB1 to continue 24VDC power on to a 4-20mA transmitter as shown in Figure 7-3 below.



*10-0233-4-20mA is a special configuration allowing 4-20mA Input to TB1 and is available by special order.



4-20mA IN+ accepts milliamp signal inputs.
24VDC COMMON is "RETURN" rail for both 4-20mA Input and Output.
(See Block / Wiring diagram)

Figure 7-3: 10-00233-4-20mA Block / Wiring Diagram

7.3.1 4-20mA Input Marker / Message (Technicians only!):

Important: ST-48 Input Marker menus are available only with special 4-20mA input configurations described in sections 7.2 and 7.3 of this manual and when the Input Type menu setting is 4-20mA (3-Wire) (see section 6.5). Since FAULT alarms are also tripped in the <4mA region it is important to understand that the Marker events override the FAULT alarm (see section 5.4).

Some monitors indicate special modes of operation such as *Calibration* or *Maintenance* by transmitting a special <4mA "Marker" value. The ST-48 offers 4-20mA input "Marker" menus, shown in Figure 7-4, for detecting inputs between 0 and 3.75mA that represent such events. Once detected, the ST-48 transmits a constant mA output equal to the **Marker** value.

Entering **YES** in the **Marker Active** menu also activates **Marker TX LED**, **Mark Level**, and **Mark As** menus. **Mark Level** allows entering the <3.75mA value (± 0.2 mA) to detect. **Mark As** allows entry of the up to 10 digit ASCII message the LCD readout will display when the **Marker** is detected. **Marker TX LED** menu = YES, causes the front panel TXD LED (see Figure 2-1) to also illuminate when the **Marker** is detected. **Important: Optional 10-0234 RS-485 modbus port will not function if “Marker TX LED” menu must = YES.**

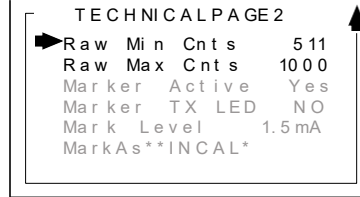


Figure 7-4: 4-20mA Input “MARKER” Menus

A **Marker** application example is as follows: Many gas detection monitors transmit 1.5mA during their calibration mode. Configuring ST-48 marker menus as shown in Figure 7-4 will provide the LCD readout in Figure 7-5 when 1.5mA is the 4-20mA input. In this example, the ST-48EC-I 4-20mA output will also transmit a 1.5mA marker signal.

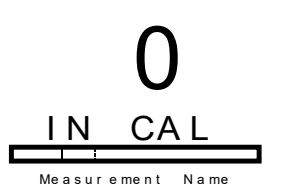


Figure 7-5: 4-20mA Input Type “MARKER” Message

REVISION HISTORY (after 3-13-2007)

| Revision | Description | Date | Approved by: |
|----------|---|---------|--------------|
| 3.0 | Added modifications to make suitable for ATEX certification per instructions by DNV | 3-13-07 | RC |

APPENDIX

Optional Calibration Equipment

The following equipment is available from PureAire to facilitate gas calibration or from your gas supplier. If you have any questions or are unsure of what to order, please email service@pureaire.net

| Part # | Description | Qty. |
|---|--|--------|
| 94005 - Fixed-Rate Regulator Calibration Kit | Hydrogen 103 liter cylinder, 2% Methane 103 liter cylinder, 2.5% Fixed Rate Regulator, C-10, 0.5LPM Tubing 2ft Carrying Case | 1 each |
| 94007 – Demand Flow Regulator Calibration Kit | Hydrogen 103 liter cylinder, 2% Methane 103 liter cylinder, 2.5% Demand Flow Regulator, C-10 Tubing 2ft Carrying Case | 1 each |
| 94009 | Flow Cap – LEL/% Units Only | 1 |
| 94010 | Flow Cap – PPM Units Only | 1 |
| 94013 | Fixed Gas Regulator, C-10, 0.5LPM | 1 |
| 94014 | Demand Flow Gas Regulator, C-10 | 1 |
| 94017 | Methane (CH ₄) 103 liter cylinder, 2.5%, C-10 | 1 |
| 94018 | Hydrogen (H ₂) 103 liter cylinder, 2%, C-10 | 1 |
| 94019 | Ultra Zero Air 103 liter cylinder, C-10 | 1 |
| 94012 | Carrying Case | 1 |