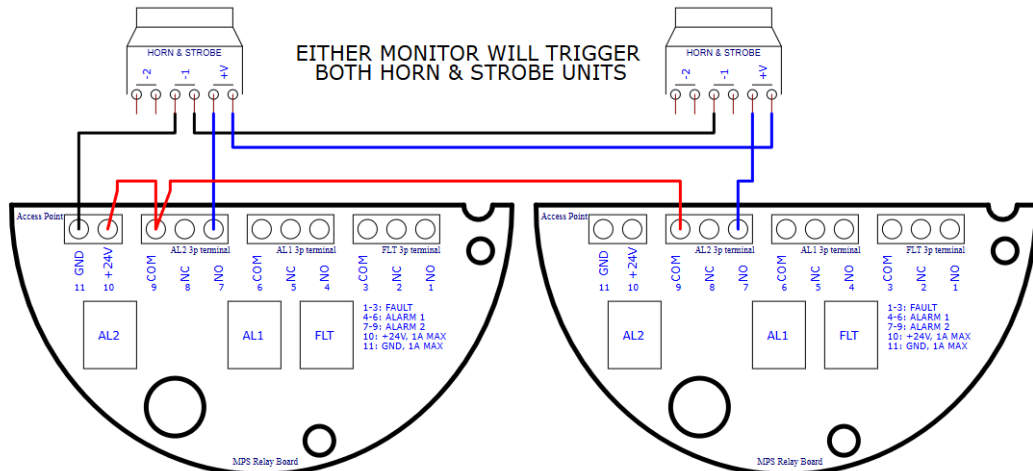
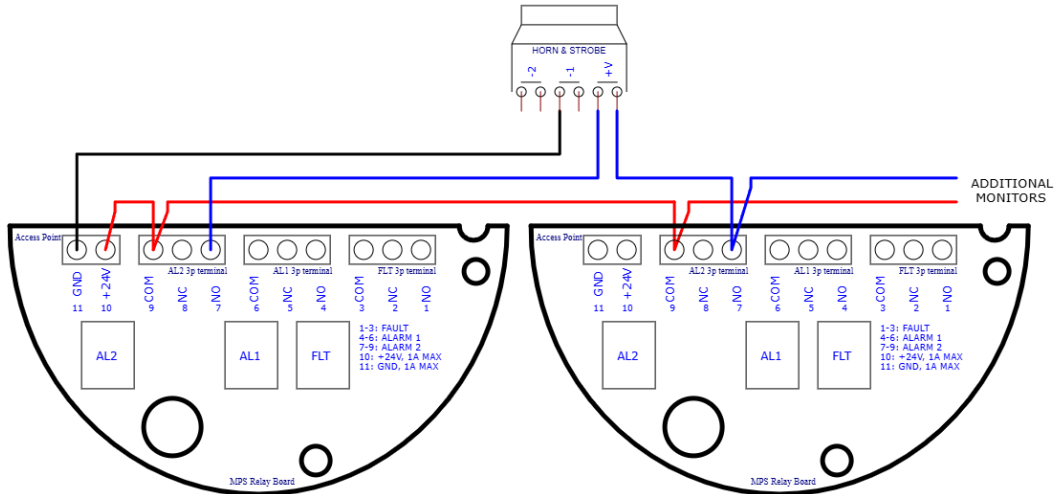
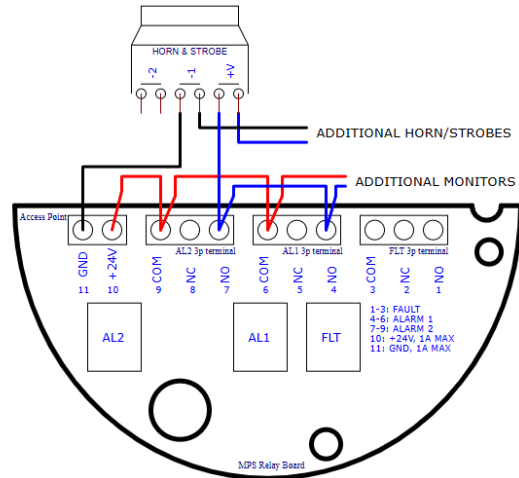
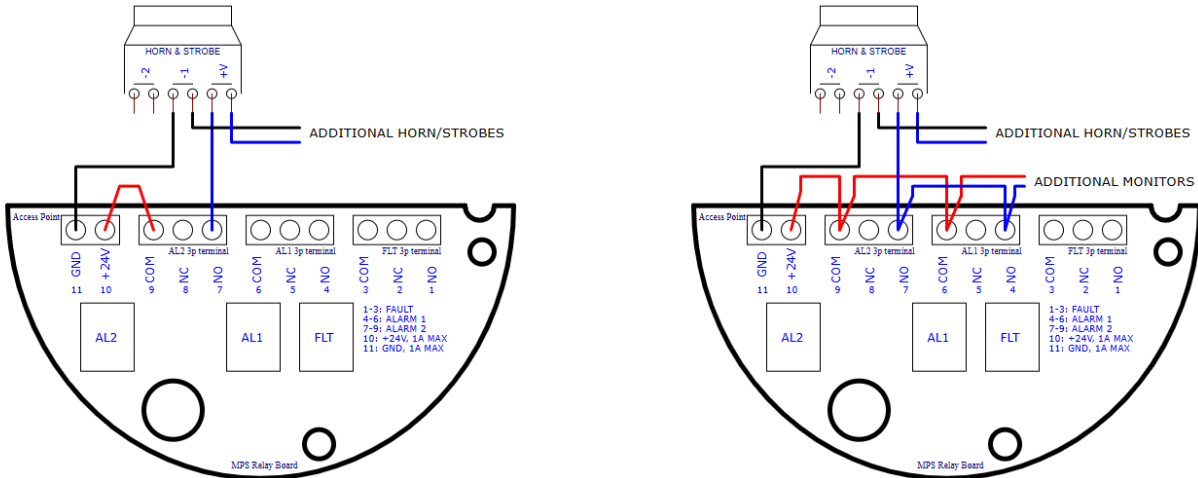


**99214: PureAir MPS™ Flammable Gas Sensor | Horn & Strobe Wiring Diagrams**



**\*\*Please Note: An 18 AWG, three conductor, shielded control and instrumentation cable, Belden 8770 or equivalent, is recommended for the connection.**

«1»	«2»	0000	🎵			Main Application	24 V at 20 °C	
			Pattern	Frequency Hz	Rate		mA	dB(A)
1	14	11111	Alternating	800 and 970	2 Hz (250 ms-250 ms)	BS Fire	68	100
2	14	11110	Sweep	800 to 970	7 Hz (7/s)	BS Fire	68	101
3	14	11101	Sweep	800 to 970	1 Hz (1/s)	BS Fire	68	101
4	14	11100	Continuous	2850	Steady	General Purpose	82	110
5	4	11011	Sweep	2400 to 2850	7 Hz	General Purpose	80	110
6	4	11010	Sweep	2400 to 2850	1 Hz	General Purpose	80	110
7	14	11001	Slow whoop	500 to 1200	3 s sweep, 0.5 s silence, then repeat	Dutch Fire (NEN 2575)	70	98
8	14	11000	Sweep (DIN)	1200 to 500	1 Hz	German Fire (DIN 33 404)	66	98
9	4	10111	Alternating	2400 and 2850	2 Hz (250 ms-250 ms)	General Purpose	80	109
10	14	10110	Intermittent	970	0.5 Hz (1 s On/1 s Off)	PFEER alert	62	100
11	14	10101	Alternating	800 and 970	1 Hz (500 ms-500 ms)	BS Fire	68	100
12	4	10100	Intermittent	2850	0.5 Hz (1 s On/1 s Off)	General Purpose	74	109
13	14	10011	Intermittent	970	0.8 Hz (250 ms On/1 s Off)	General Purpose	58	96
14	14	10010	Continuous	970	Steady	PFEER toxic gas	70	101
15	14	10001	Alternating	554 and 440	100 ms-400 ms	French Fire (NFS 32-001)	62	93
16	16	10000	Intermittent	660	3.3 Hz (150 ms On/150 ms Off)	Swedish (Air raid)	59	86
17	17	01111	Intermittent	660	0.28 Hz (1.8 s On/1.8 s Off)	Swedish (Local warning)	62	88
18	18	01110	Intermittent	660	0.05 Hz (13 s Off / 6.5 Hz On)	Swedish (Pre-mess)	64	88
19	19	01101	Continuous	660	Steady	Swedish (All clear)	64	89
20	20	01100	Alternating	554 and 440	0.5 Hz (1 s On/1 s Off)	Swedish (Turn out)	63	96
21	21	01011	Intermittent	660	1 Hz (500 ms-500 ms)	Swedish General Purpose	60	100
22	14	01010	Intermittent	2850	4 Hz (150 ms On/100 ms Off)	Pelican crossing	72	109
23	14	01001	Sweep	800 to 970	50 Hz	BS Fire	68	101
24	4	01000	Sweep	2400 to 2850	50 Hz	General Purpose	75	110
25	25	00111	Intermittent	970	3 x 500 ms pulses, 1.5 s silence, then repeat	ISO 8201	64	99
26	26	00110	Intermittent	800 to 970	3 x 500 ms pulsed sweep, 1.5 s silence, then repeat	ISO 8201	70	108
27	27	00101	Intermittent	970 and 800	3 x 500 ms pulsed sweep, 1.5 s silence, then repeat	ISO 8201	85	83
28	10	00100	Alternating	800 and 970	2 Hz (250 ms-250 ms)	BS Fire	67	100
29	988 Hz	00011	Alternating	990 and 650	2 Hz (250 ms-250 ms) (Symphoni tones)	BS Fire	71	99
30	510 Hz	00010	Alternating	510 and 610	2 Hz (250 ms-250 ms) (Squashni Micro tones)	BS Fire	65	96
31	14	00001	Sweep	300 to 1200	1 Hz	General Purpose	71	96
32	510 Hz	00000	Alternating	510 and 610	1 Hz (500 ms-500 ms)	BS Fire	85	83

FACTORY DEFAULT

